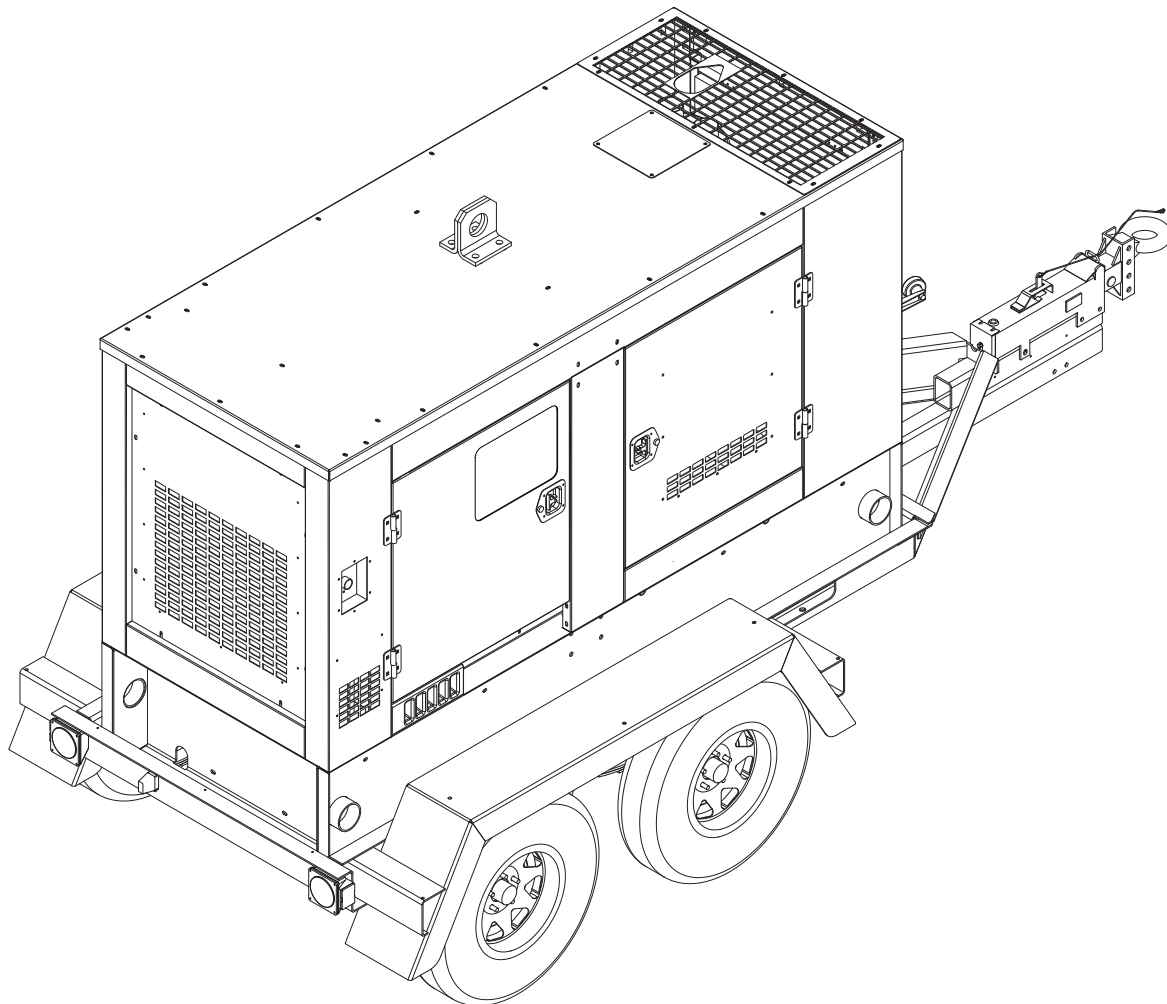


GENERAC® | **MOBILE
PRODUCTS**

**DIESEL GENERATOR
MMG235 • MMG235CAN
MMG235CAN6**



PARTS MANUAL

INTRODUCTION

Before servicing this machine, make sure the engine start switch is turned to off "O", the circuit breakers are open (off, "O"), the emergency stop switch is closed (pushed in), and the negative (-) terminal on battery is disconnected. Attach a "DO NOT START" sign to the control panel. This will notify everyone that the unit is being serviced and will reduce the chance of someone inadvertently trying to start the unit. If the unit is connected to a remote start or transfer switch, make sure the remote switch is also off and tagged.

▲ WARNING

Before operating or servicing this equipment, read and understand the Generac Operating Manual which was included with the unit when shipped from the factory. Failure to do so increases the risk of injury to yourself or others.

**Generac Mobile Products LLC
215 Power Drive • Berlin, WI 54923
U.S.A.
Phone: 920-361-4442
FAX: 920-361-4416
Toll Free: 1-800-926-9768
www.generacmobile.com**

For technical or parts QUESTIONS, please contact Generac Mobile Products Customer Support or Technical Support team at 1-800-926-9768. Please have your serial number available.

To ORDER SERVICE PARTS, please contact the dealer from which you purchased the unit, or call Generac Mobile Products to locate a dealer in your area.

Engine Make: _____
Engine Serial Number: _____
Engine Model Number: _____
Generator Make: _____
Generator Model Number: _____
Generator Serial Number: _____
Unit Model Number: _____
Unit Serial Number: _____

▲ WARNING

**CALIFORNIA PROPOSITION 65 WARNING:
Diesel engine exhaust and some of its constituents are known to the state of California to cause cancer, birth defects and other reproductive harm.**

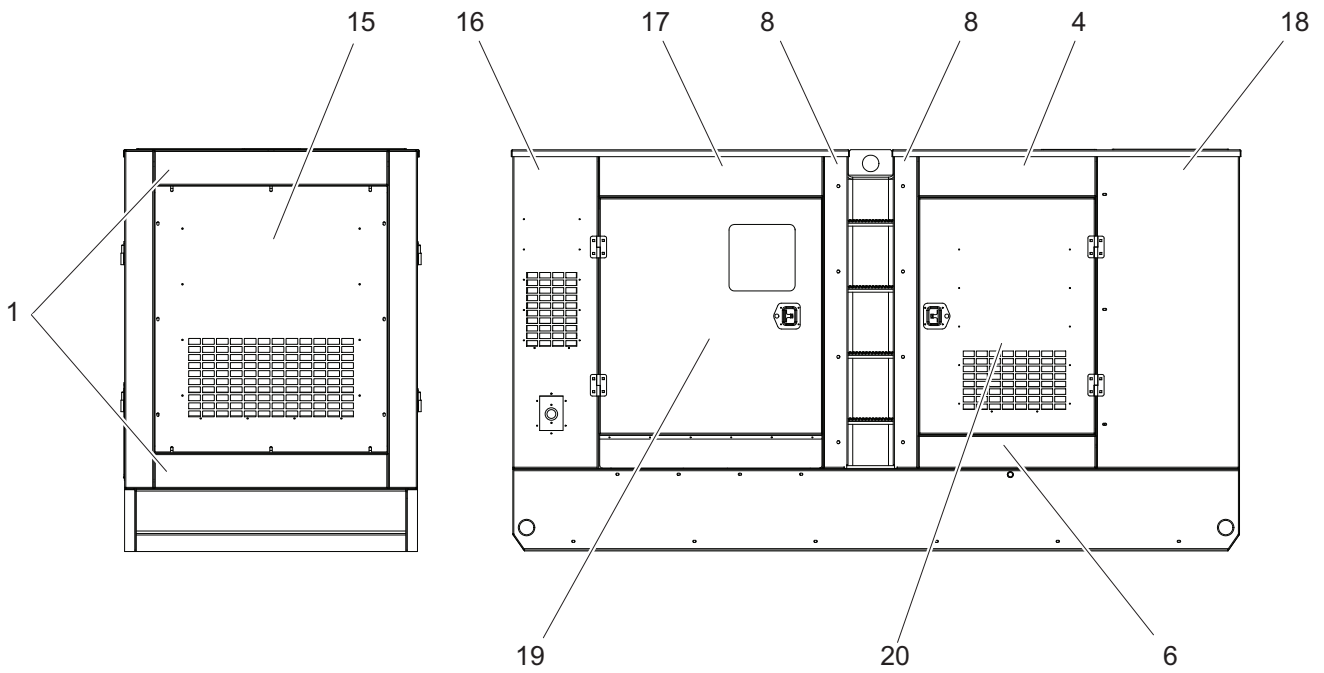
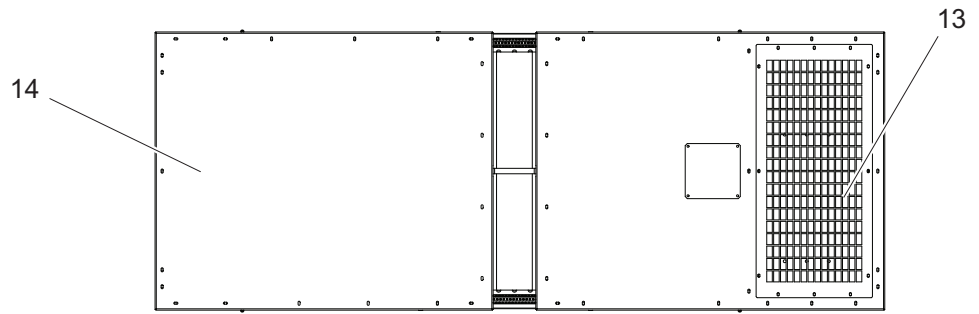
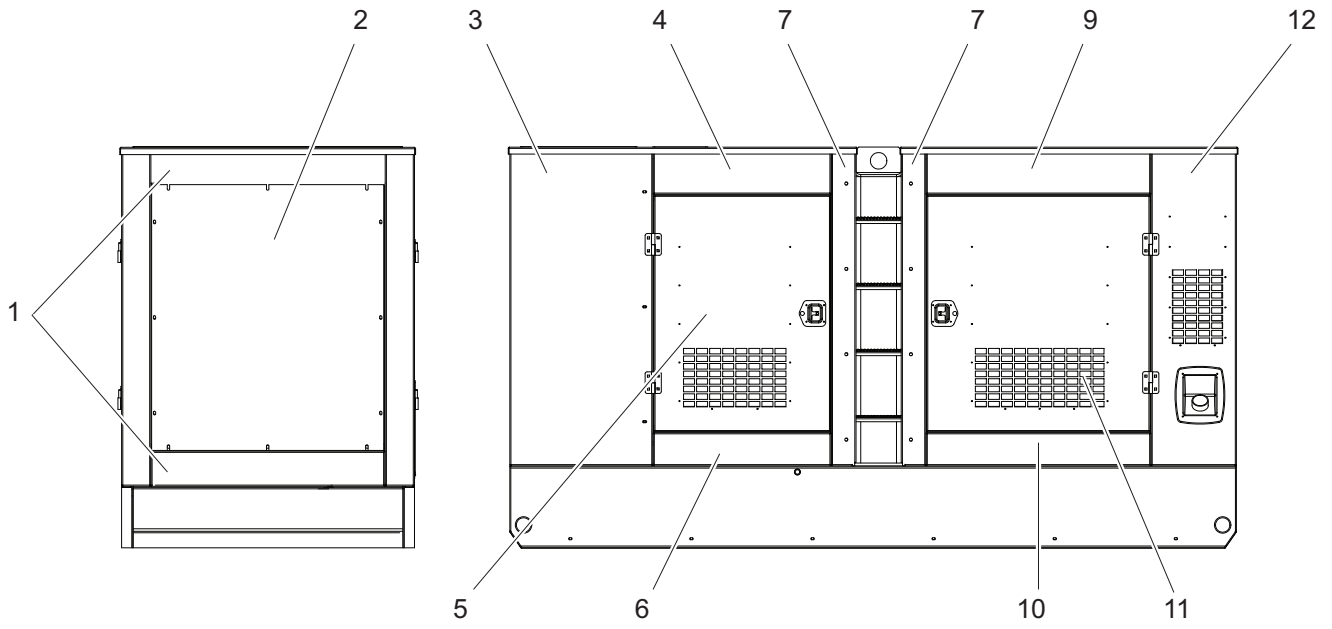
▲ WARNING

**CALIFORNIA PROPOSITION 65 WARNING:
This product contains or emits chemicals known to the state of California to cause cancer, birth defects, and other reproductive harm.**

TABLE OF CONTENTS

INTRODUCTION	2
ENCLOSURE PANELS	4
UNIT DECALS - LEFT SIDE - MMG235	6
UNIT DECALS - RIGHT SIDE- MMG235	7
UNIT DECALS - LEFT SIDE - MMG235DCAN, MMG235DCAN6	8
UNIT DECALS - RIGHT SIDE - MMG235DCAN, MMG235DCAN6	9
LEFT FRONT DOOR ASSEMBLY	10
LEFT REAR DOOR ASSEMBLY	12
RIGHT FRONT DOOR ASSEMBLY	14
CONTROL DOOR ASSEMBLY	16
FRONT ROOF PANEL ASSEMBLY	18
REAR ROOF PANEL ASSEMBLY	20
FRONT PANEL ASSEMBLY	22
REAR PANEL ASSEMBLY	24
LEFT SIDE CENTER PANEL ASSEMBLY	26
RIGHT SIDE CENTER PANEL ASSEMBLY	28
END AND LOWER SIDE PANEL ASSEMBLY	30
UPPER SIDE PANEL ASSEMBLY	32
LEFT REAR CORNER ASSEMBLY	34
RIGHT REAR CORNER ASSEMBLY	36
LEFT FRONT CORNER ASSEMBLY	38
RIGHT FRONT CORNER ASSEMBLY	40
CONTROL BOX ASSEMBLY (1 OF 2)	42
CONTROL BOX ASSEMBLY (2 OF 2)	44
LEFT CONTROL PANEL ASSEMBLY	46
RIGHT CONTROL PANEL ASSEMBLY	48
LUG BOX ASSEMBLY	50
LUG PLATE ASSEMBLY	52
LUG BOX DOOR ASSEMBLY	54
OUTLET PANEL ASSEMBLY	56
OUTLET PANEL ASSEMBLY FOR CAM LOCK OPTIONS	58
CAM LOCK PANEL ASSEMBLY OPTIONS	60
CAM LOCK DOOR ASSEMBLY (OPTIONAL)	62
AIR FILTER ASSEMBLY	64
EXHAUST SYSTEM ASSEMBLY	66
COOLING SYSTEM ASSEMBLY	68
COOLING SYSTEM HOSES	70
ENGINE AND GENERATOR TO SKID ASSEMBLY	72
ENGINE ASSEMBLY	74
OIL RECIRCULATION SYSTEM ASSEMBLY	76
ENGINE MOUNT ASSEMBLY	78
CLUTCHED FAN ASSEMBLY - MMG235CAN, MMG235CAN6	80
HOTSTART ASSEMBLY - MMG235CAN, MMG235CAN6	82
RECONNECT AND SHORTING BOARD ASSEMBLY	84
RECONNECT BOX ASSEMBLY	86
RECONNECT BOX AND GENERATOR ASSEMBLY	88
GENERATOR BOX ASSEMBLY - 4 POSITION - MMG235 & MMG235CAN	90
FUEL TANK AND SKID ASSEMBLY	92
FUEL TANK ASSEMBLY - MMG235	94
FUEL TANK ASSEMBLY - MMG235CAN, MMG235CAN6	96
TRAILER ASSEMBLY	98
AXLE ASSEMBLY	100
TRAILER BRAKE LINES	102
TRAILER HITCH OPTIONS	104
RECOMMENDED SPARE PARTS LIST	106
NOTES	107

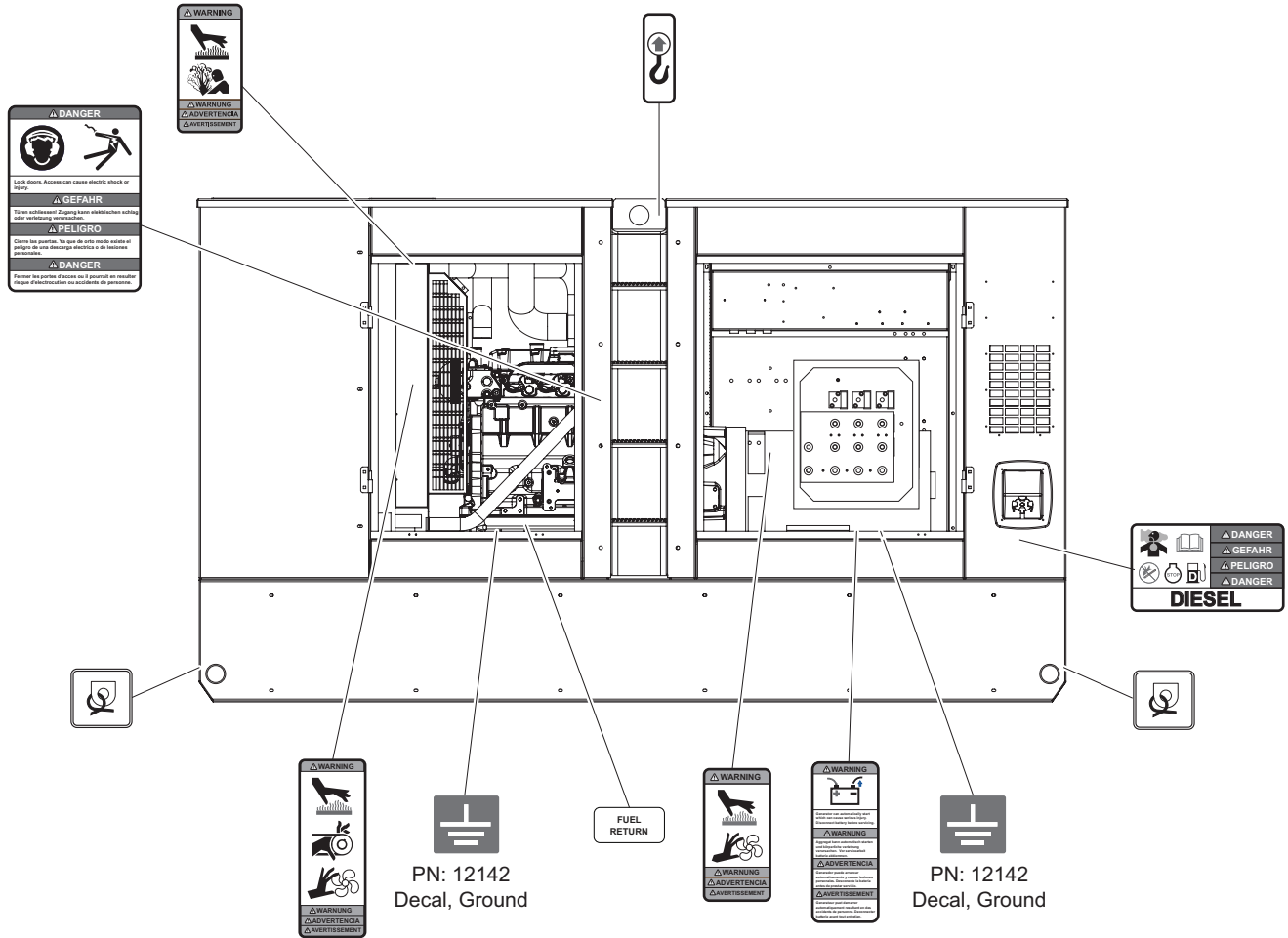
ENCLOSURE PANELS



ENCLOSURE PANELS

ITEM	PART NO.	QTY	DESCRIPTION
1	<i>Page 30</i>	4	End panel assembly
2	<i>Page 22</i>	1	Front panel assembly
3	<i>Page 38</i>	1	Left front corner assembly
4	<i>Page 32</i>	2	Upper side panel assembly
5	<i>Page 10</i>	1	Left front door assembly
6	<i>Page 30</i>	2	Lower side panel assembly
7	<i>Page 26</i>	1	Left side center panel assembly
8	<i>Page 28</i>	1	Right side center panel assembly
9	<i>Page 32</i>	1	Upper side panel assembly
10	<i>Page 30</i>	1	Lower side panel assembly
11	<i>Page 12</i>	1	Left rear door assembly
12	<i>Page 34</i>	1	Left rear corner assembly
13	<i>Page 18</i>	1	Front roof panel assembly
14	<i>Page 20</i>	1	Rear roof panel assembly
15	<i>Page 24</i>	1	Rear panel assembly
16	<i>Page 36</i>	1	Right rear corner assembly
17	<i>Page 32</i>	1	Upper side panel assembly
18	<i>Page 40</i>	1	Right front corner assembly
19	<i>Page 16</i>	1	Control door assembly
20	<i>Page 14</i>	1	Right front door assembly

UNIT DECALS - LEFT SIDE - MMG235



TOWING INSTRUCTIONS	ABSCHLEPPINSTRUKTIONEN	INSTRUCCIONES DE REMOLQUE	INSTRUCTIONS DE REMORQUAGE
<ol style="list-style-type: none"> 1. Read operator's manual. 2. Use hitch rated for trailer's "gross vehicle weight rating". 3. Securely attach trailer to tow vehicle. 4. Attach safety chains using a cross pattern. 5. Attach breakdown chain to vehicle. 6. Check trailer lights. 	<ol style="list-style-type: none"> 1. Betriebsvorschrift lesen. 2. Anhangervorrichtung verwenden, die der Gesamtbruttogewichtsklasse entspricht. 3. Anhänger sicher am Zugfahrzeug befestigen. 4. Sicherheitsketten kreuzweise anbringen. 5. Abbremskette am Fahrzeug anbringen. 6. Anhangerveuchten prüfen. 	<ol style="list-style-type: none"> 1. Lea el manual del operario. 2. Utilice un enganche correctamente clasificado para la "clase de peso bruto" del vehículo de remolque. 3. Asegure de acople correctamente el remolque al vehículo de remolque. 4. Fije en cruz las cadenas de seguridad. 5. Fije en el vehículo de remolque la cadena de desprendimiento. 6. Controle las luces del remolque. 	<ol style="list-style-type: none"> 1. Lire la notice d'emploi. 2. Utiliser un crochet d'attelage conforme au débit nominal du point bruto de véhicule du véhicule tracteur. 3. Attacher le remorque fermement au véhicule tracteur. 4. Attacher les chaînes de sursécurité en utilisant une méthode croisée. 5. Attacher la chaîne de remorque au véhicule. 6. Vérifier les lampes de la remorque.

Located on tongue of trailered units.

CAUTION
 Before transporting unit
 turn OFF both (2) Fuel Port
 Shutoff Valves per UN31A.

CAUTION
 OPEN VALVE
 BEFORE
 FUELING!

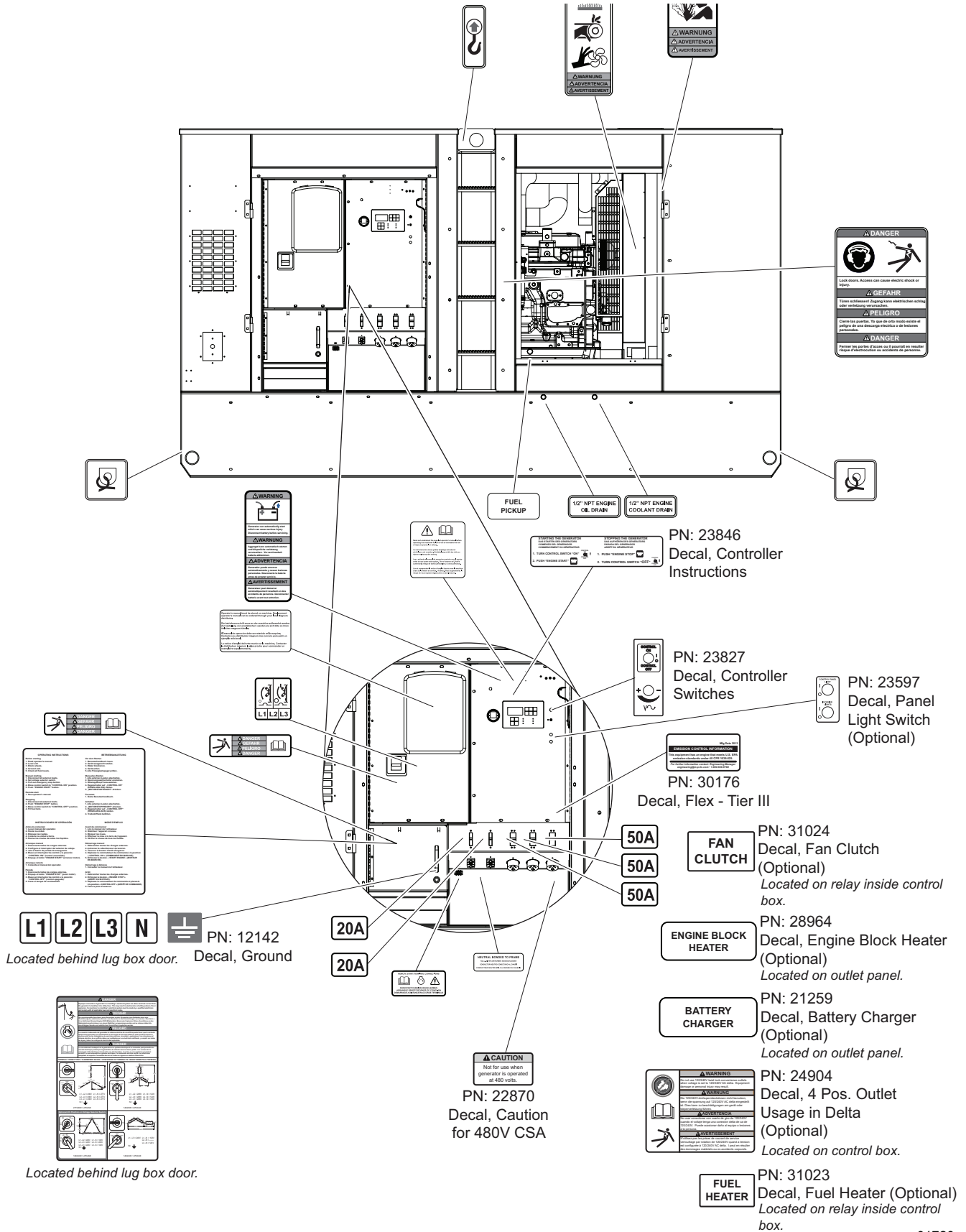
PN: 30175
 Decal, UN31A Tank Caution
 (Optional)

Located on fuel tank

01719

Note: All safety and operating decals are located on decal sheet 23599, unless otherwise noted.

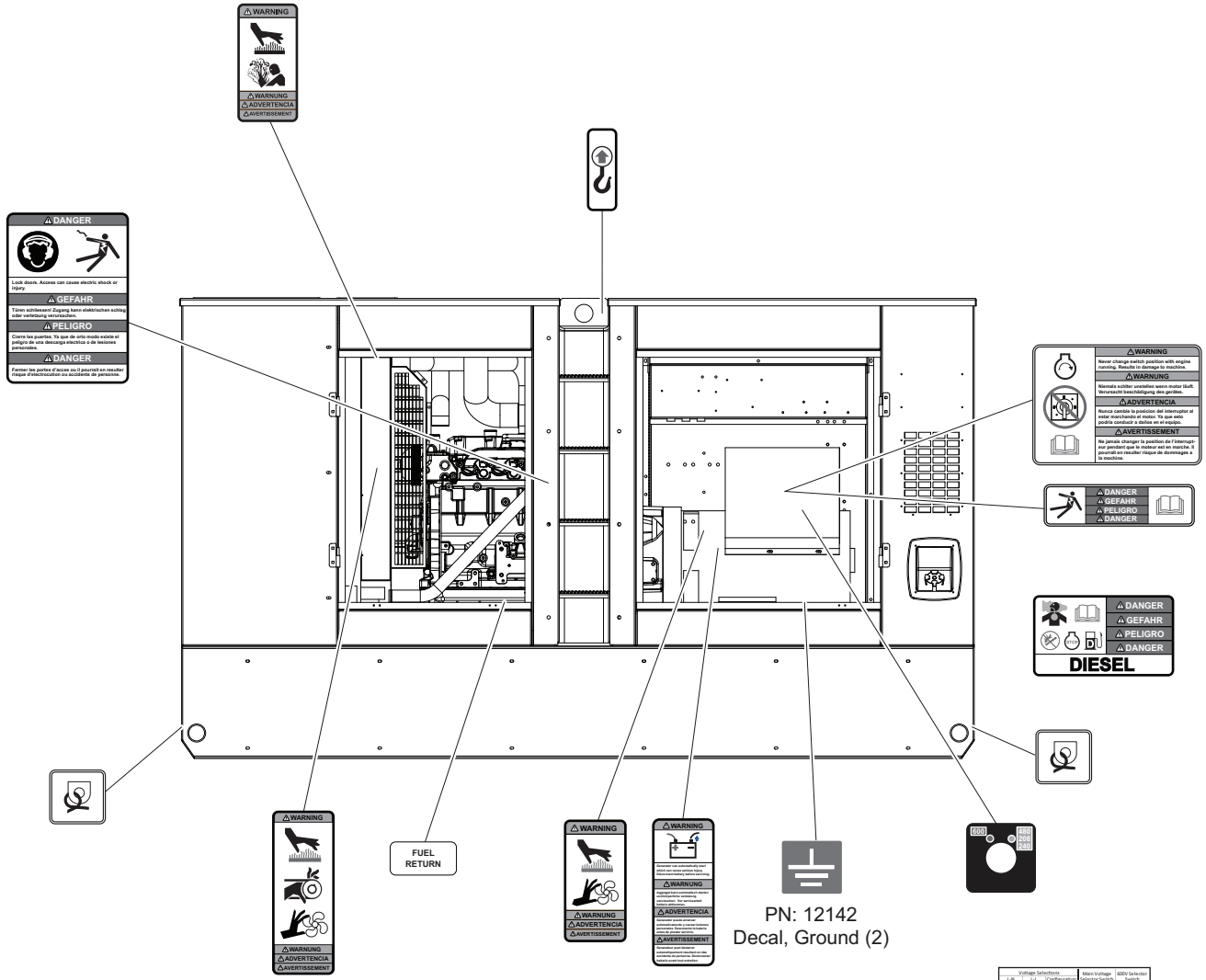
UNIT DECALS - RIGHT SIDE- MMG235



01720

Note: All safety and operating decals are located on decal sheet 23599, unless otherwise noted.

UNIT DECALS - LEFT SIDE - MMG235DCAN, MMG235DCAN6



TOWING INSTRUCTIONS	ABSCHLEPPINSTRUKTIONEN	INSTRUCCIONES DE REMOLQUE	INSTRUCTIONS DE REMORQUAGE
<ol style="list-style-type: none"> 1. Read operator's manual. 2. Use hitch rated for trailer's gross vehicle weight rating. 3. Securely attach trailer to tow vehicle. 4. Attach safety chains using a cross pattern. 5. Attach breakdown chain to vehicle. 6. Check trailer lights. 	<ol style="list-style-type: none"> 1. Betriebsvorschrift lesen. 2. Anhängeranordnung verwerdens, die der Gesamtbetriebsgeschwindigkeit entspricht. 3. Anhänger sicher am Auflieger befestigen. 4. Sicherheitsketten kreuzweise anbringen. 5. Abbremskette am Fahrzeug anbringen. 6. Anhängerleuchten prüfen. 	<ol style="list-style-type: none"> 1. Lire le manuel de l'opérateur. 2. Utilisez un accouplement correctement classifié pour la "classe de poids bruts" du véhicule de remorque. 3. Assurez-vous de raccorder correctement le remorque au véhicule de tracteur. 4. Fixe en croix les chaînes de sécurité. 5. Fixe en croix la chaîne de remorque à la chaîne de désengagement. 6. Contrôlez les feux du remorque. 	<ol style="list-style-type: none"> 1. Lire la notice d'emploi. 2. Utiliser un crochet d'attelage conforme au débit nominal du poids brut de véhicule du véhicule tracteur. 3. Attacher la remorque fermement au véhicule tracteur. 4. Attacher les chaînes de sureté en utilisant une méthode croisée. 5. Attacher la chaîne de remorquage au véhicule. 6. Vérifier les lampes de la remorque.

Located on tongue of trailered units.

Volts	Volts	Configuration	Mini-Voltage	Body Voltage
144	600	3-p		
177	480	3-p		
120	208	3-p		
120	240	1-p		

PN: 34273
Decal, Terminal Connections - 600V (MMG235CAN6 Only)

CAUTION
Before transporting unit
turn OFF both (2) Fuel Port
Shutoff Valves per UN31A.

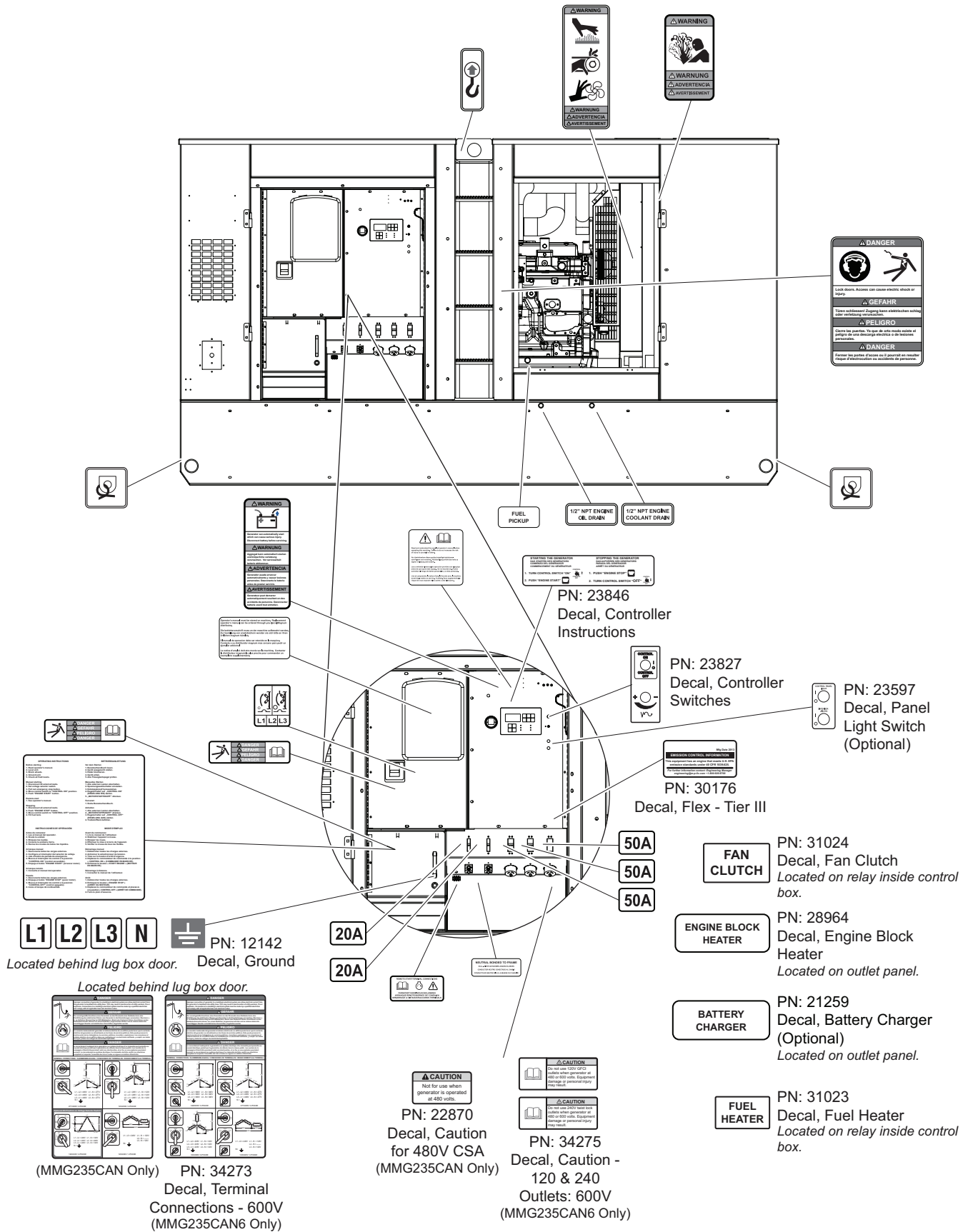
CAUTION
OPEN VALVE
BEFORE
FUELING!

PN: 30175
Decal, UN31A Tank Caution
Located on fuel tank.

01722

Note: All safety and operating decals are located on decal sheet 23599, unless otherwise noted.

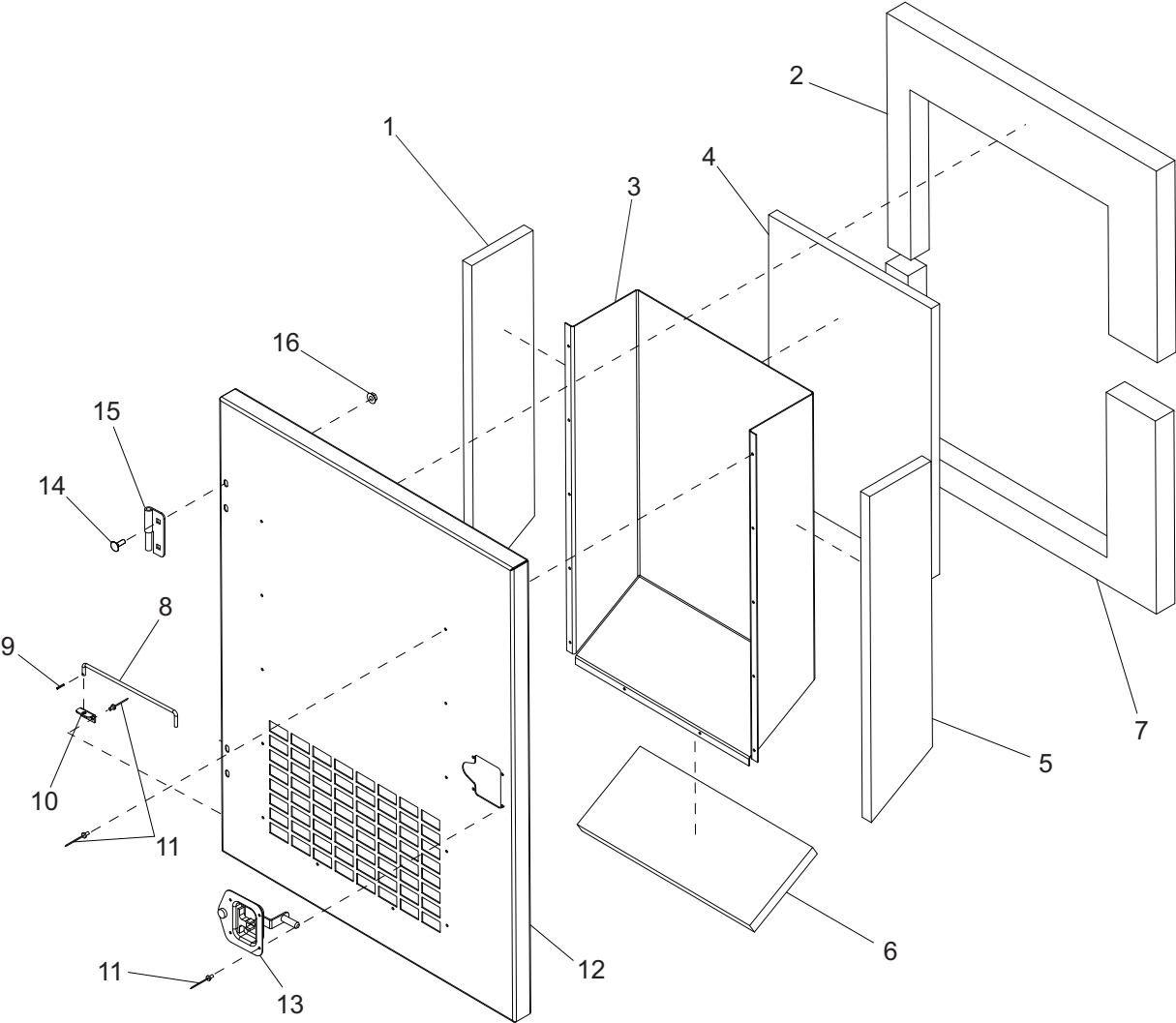
UNIT DECALS - RIGHT SIDE - MMG235DCAN, MMG235DCAN6



01723

Note: All safety and operating decals are located on decal sheet 23599, unless otherwise noted.

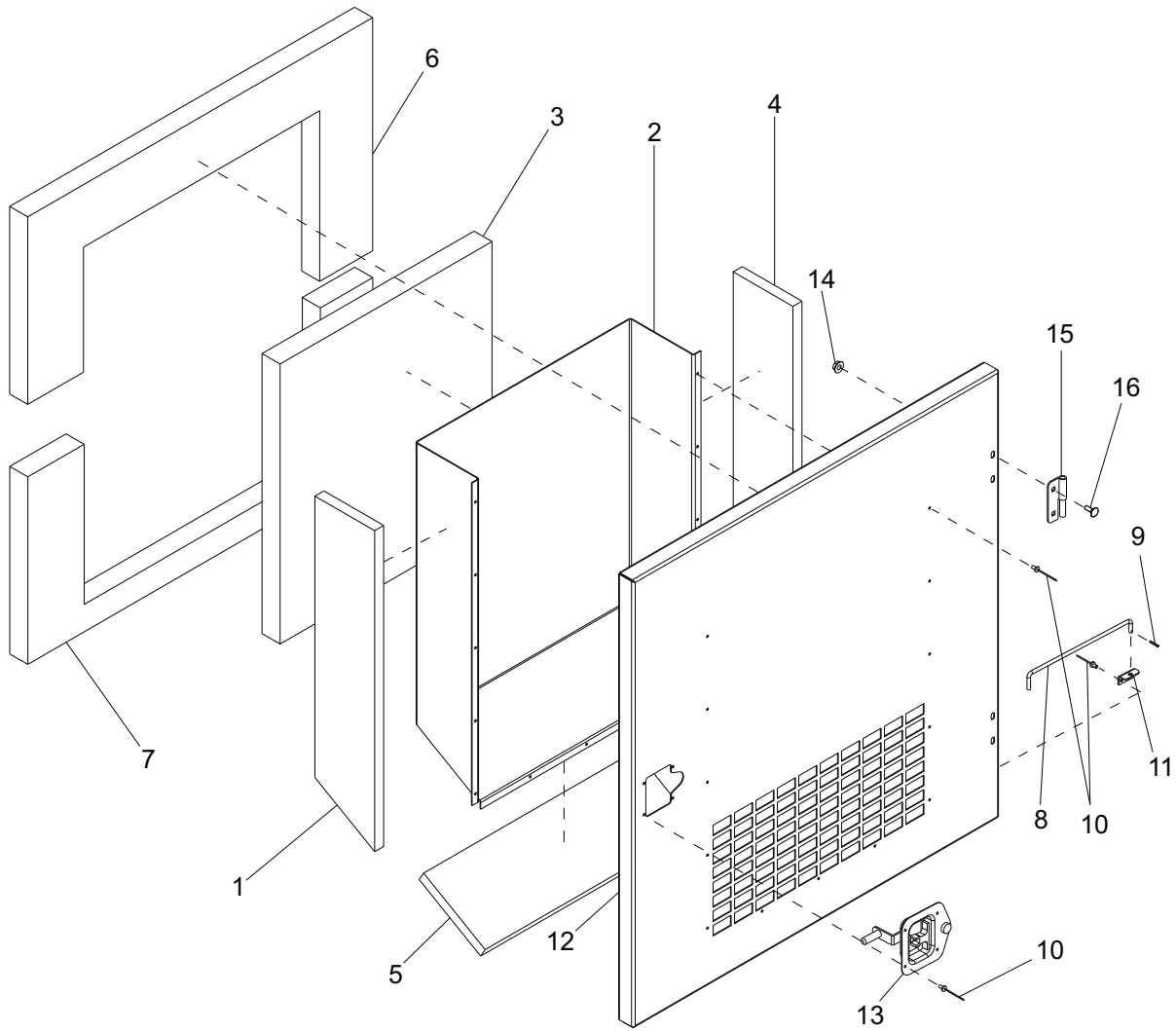
LEFT FRONT DOOR ASSEMBLY



LEFT FRONT DOOR ASSEMBLY

ITEM	PART NO.	QTY	DESCRIPTION	NOTES
1	22486	1	Foam, small duct rht	
2	22193	1	Foam, front lft door upper	
3	26089W	1	Duct, front door	
4	22487	1	Foam, front duct face - lft	
5	22485	1	Foam, door duct lft	
6	22488	1	Foam, small duct lower	
7	22194	1	Foam, front lft door lower	
8	18900ZC	1	Rod, door prop	
9	60048	1	Pin, roll .125 x .625	
10	20916Z	1	Bracket, prop rod	
11	60268	18	Rivet, .188 dia x .126 to .250 grip	
12	22160W	1	Door, front left	
13	22498	1	Latch, T-handle – right ccw lock	
14	61066	4	Screw, .312-18 x 1.0 carr sqr, SS	
15	18459	2	Hinge, left (male)	
16	60243	4	Washer, .250 flat .735/.060	
--	26090	1	Assembly, front left door	Items 1-16

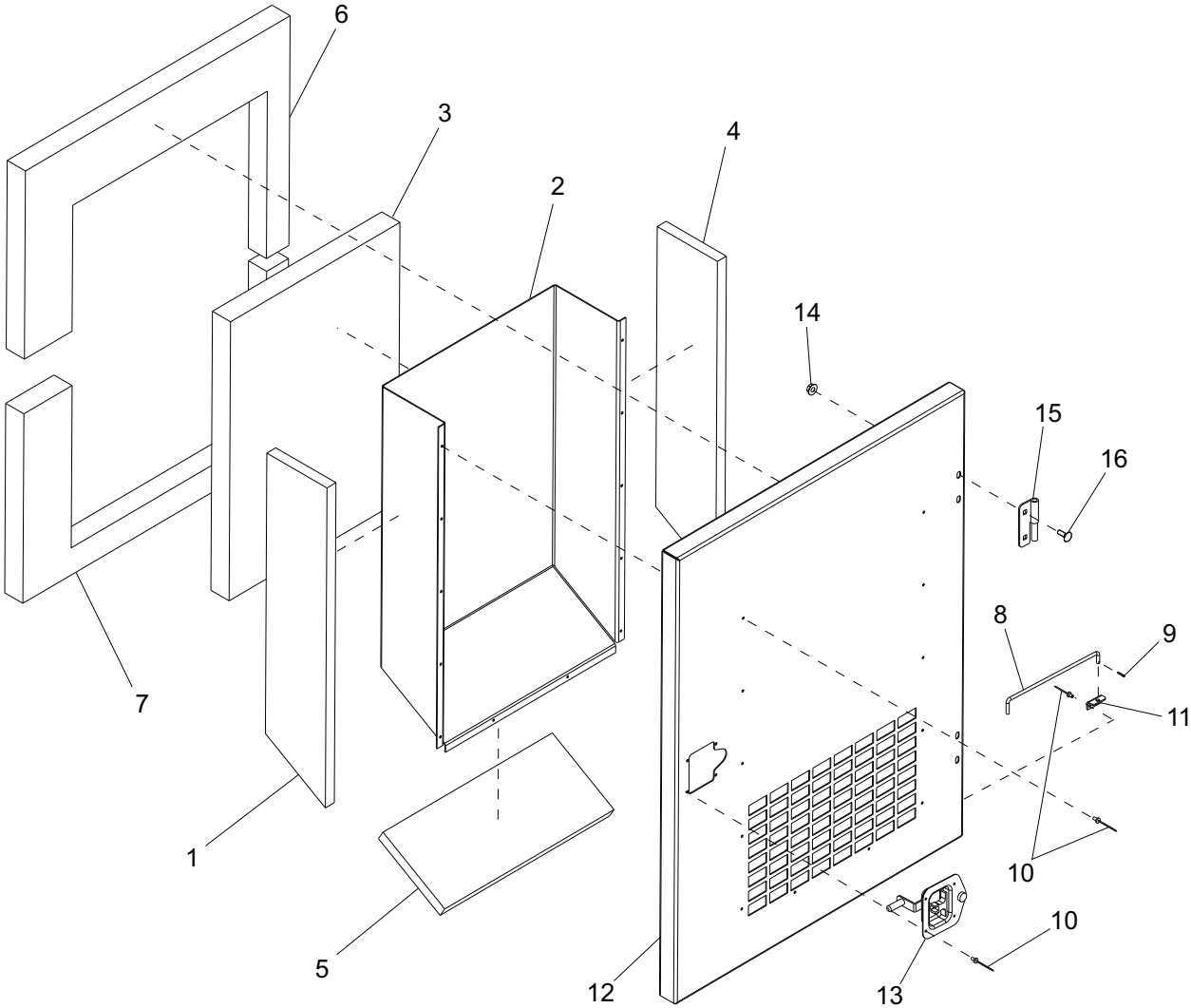
LEFT REAR DOOR ASSEMBLY



LEFT REAR DOOR ASSEMBLY

ITEM	PART NO.	QTY	DESCRIPTION	NOTES
1	22189	1	Foam, small duct rht	
2	22169W	1	Duct, rear door	
3	22197	1	Foam, rear lft duct face	
4	22190	1	Foam, door duct lft	
5	22198	1	Foam, rear lft duct lower	
6	22195	1	Foam, rear lft door upper	
7	22196	1	Foam, rear lft door lower	
8	18900ZC	1	Rod, door prop	
9	60048	1	Roll pin, .125 x .625	
10	60268	19	Rivet, .188 dia x .126 to .250 grip	
11	20916Z	1	Bracket, prop rod	
12	22161W	1	Door, rear left	
13	22497	1	Latch, T-handle – left cw lock	
14	60285	4	Nut, .312-18 hex, grade 2	
15	18461	2	Hinge, right (male)	
16	61066	4	Screw, .312-18 x 1.0 carr sqr, SS	
--	22166	1	Assembly, rear left door	Items 1-16

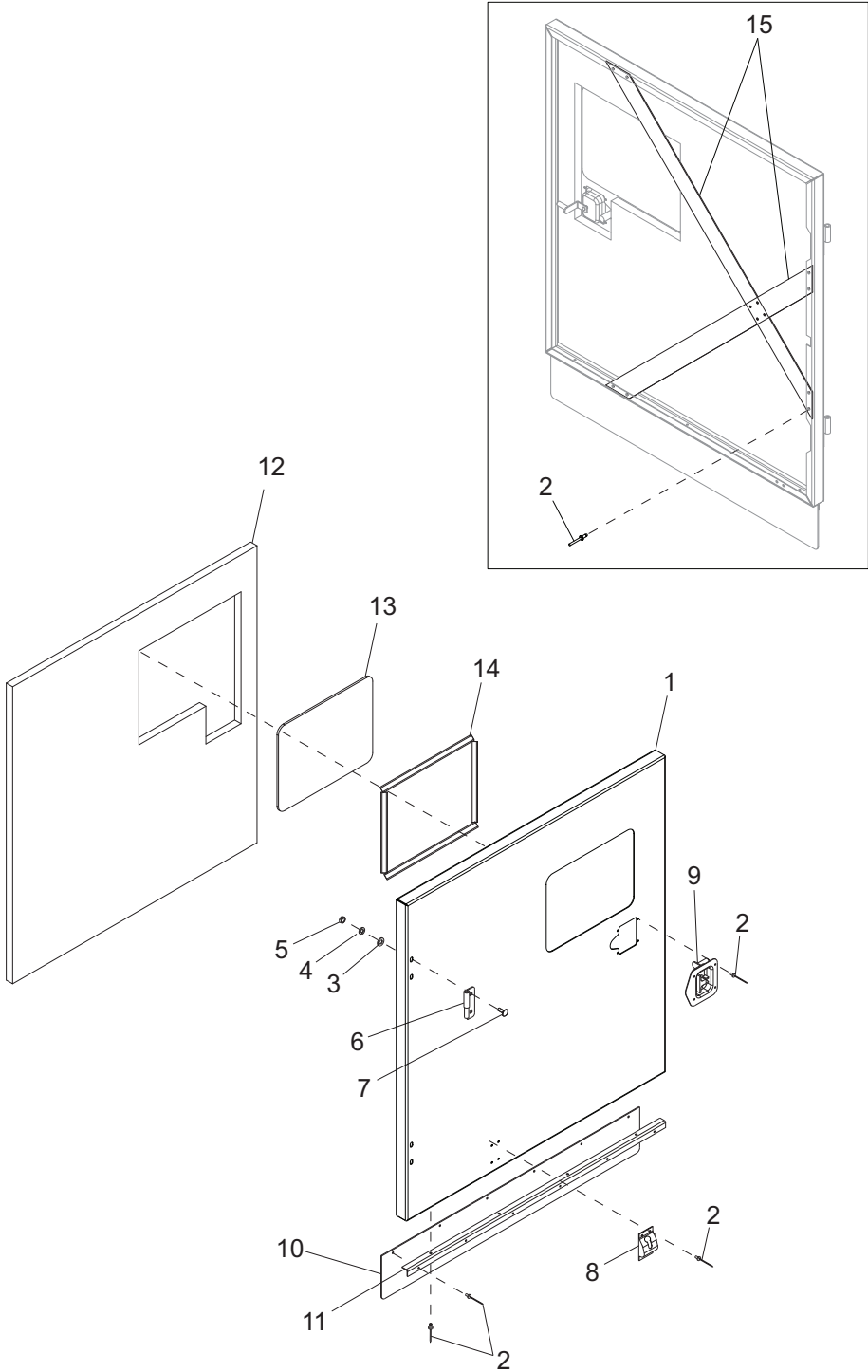
RIGHT FRONT DOOR ASSEMBLY



RIGHT FRONT DOOR ASSEMBLY

ITEM	PART NO.	QTY	DESCRIPTION	NOTES
1	22486	1	Foam, small duct rht	
2	22484W	1	Duct, front door	
3	22487	1	Foam, front duct face - lft	
4	22485	1	Foam, door duct lft	
5	22488	1	Foam, small duct lower	
6	22191	1	Foam, front right door upper	
7	22192	1	Foam, front right door lower	
8	18900ZC	1	Rod, door prop	
9	60048	1	Pin, roll .125 x .625	
10	60268	18	Rivet, .188 dia x .126 to .250 grip	
11	20916Z	1	Bracket, prop rod	
12	22159W	1	Door, front right	
13	22497	1	Latch, T-handle - left cw lock	
14	60285	4	Nut, .312-18 hex, grade 2	
15	18461	2	Hinge, right (male)	
16	61066	4	Screw, .312-18 x 1.0 carr sqr, SS	
--	24997	1	Assembly, front right door	Items 1-16

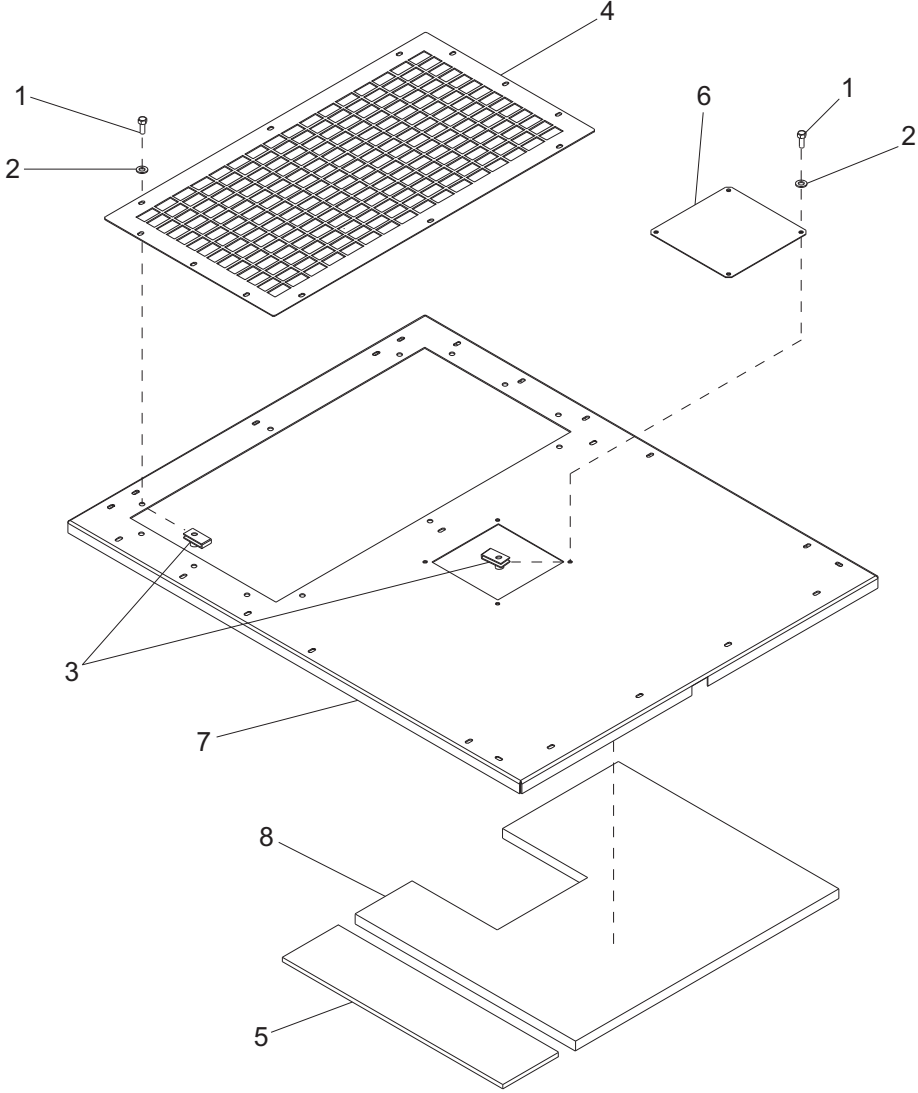
CONTROL DOOR ASSEMBLY



CONTROL DOOR ASSEMBLY

ITEM	PART NO.	QTY	DESCRIPTION	NOTES
1	29907W	1	Door, control	
2	60268	30	Rivet, .188 dia x .126 to .250 grip	
3	60243	4	Washer, .250 flat .735/.060	
4	60271	4	Washer, .312 split lock	
5	60285	4	Nut, .312-18 hex, G5	
6	18459	2	Hinge, left (male)	
7	61066	4	Screw, .312-18 x 1.0 carr sqr, SS	
8	62225	1	Latch, door - stainless cable w/ball	
9	22497	1	Latch, T-handle – left cw lock	
10	22171	1	Flap, control door	
11	22170B	1	Bracket, door flap	
12	27542	1	Foam, panel - control door	
13	21477	1	Window, control door	
14	50192	4.58 ft	Tape, .500 in. double sided type VHB	
15	22278B	2	Brace, control door - black	
--	29037	1	Assembly, control door	Items 1-15

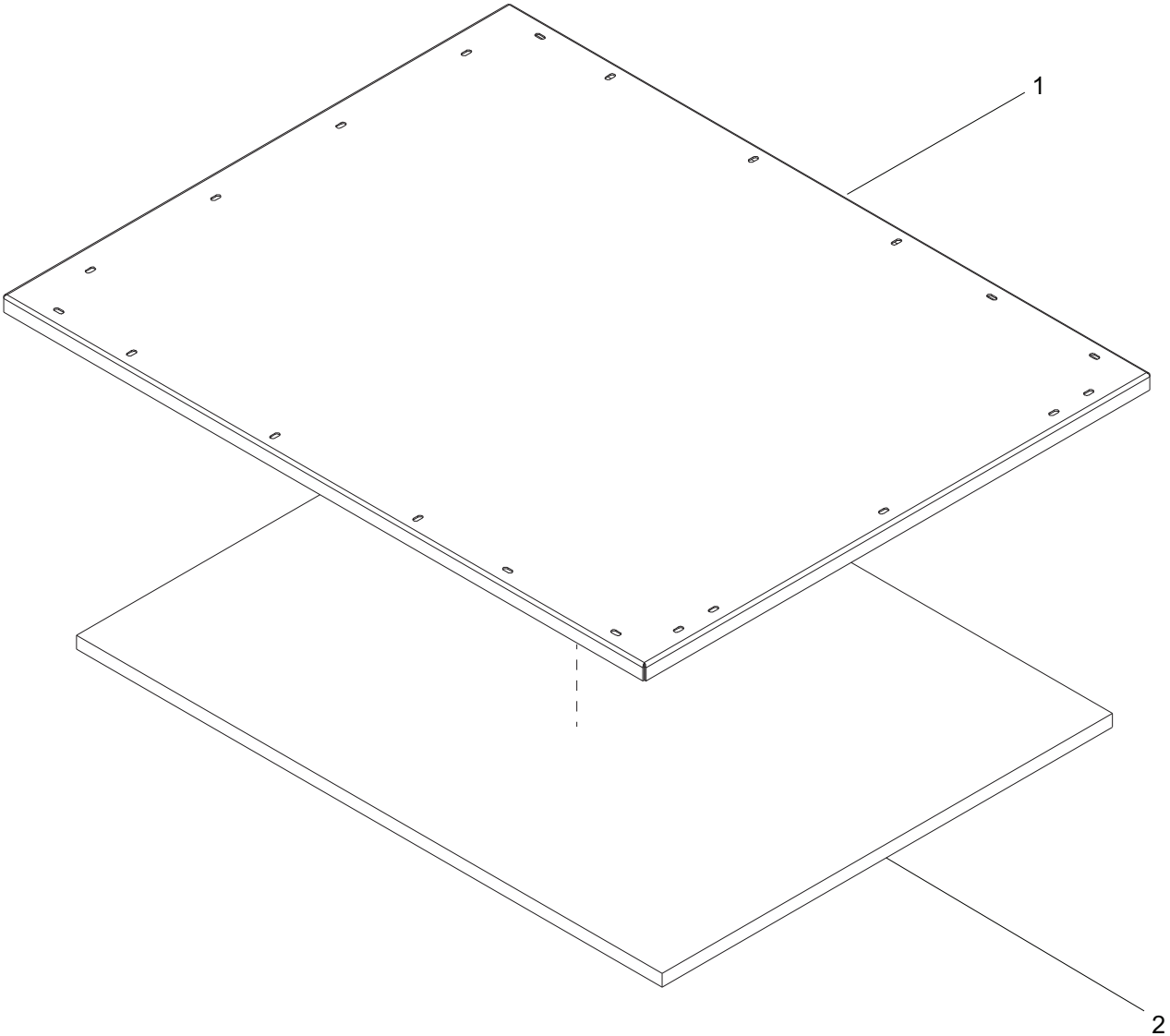
FRONT ROOF PANEL ASSEMBLY



FRONT ROOF PANEL ASSEMBLY

ITEM	PART NO.	QTY	DESCRIPTION	NOTES
1	60507	16	Screw, .312-18 x 1.0 std hex, SS	
2	60452	16	Washer, .313 flat 1.125/1.0 bnd rbr, SS	
3	60505	16	Nut, .312-18 U-clip – long type	
4	22175W	1	Panel, roof insert	
5	23982	1	Insulation, ceramic roof	
6	25053W	1	Panel, access	
7	22068W	1	Panel, roof front	
8	22174	1	Foam, roof front	
--	22091	1	Assembly, front roof	Items 1-8

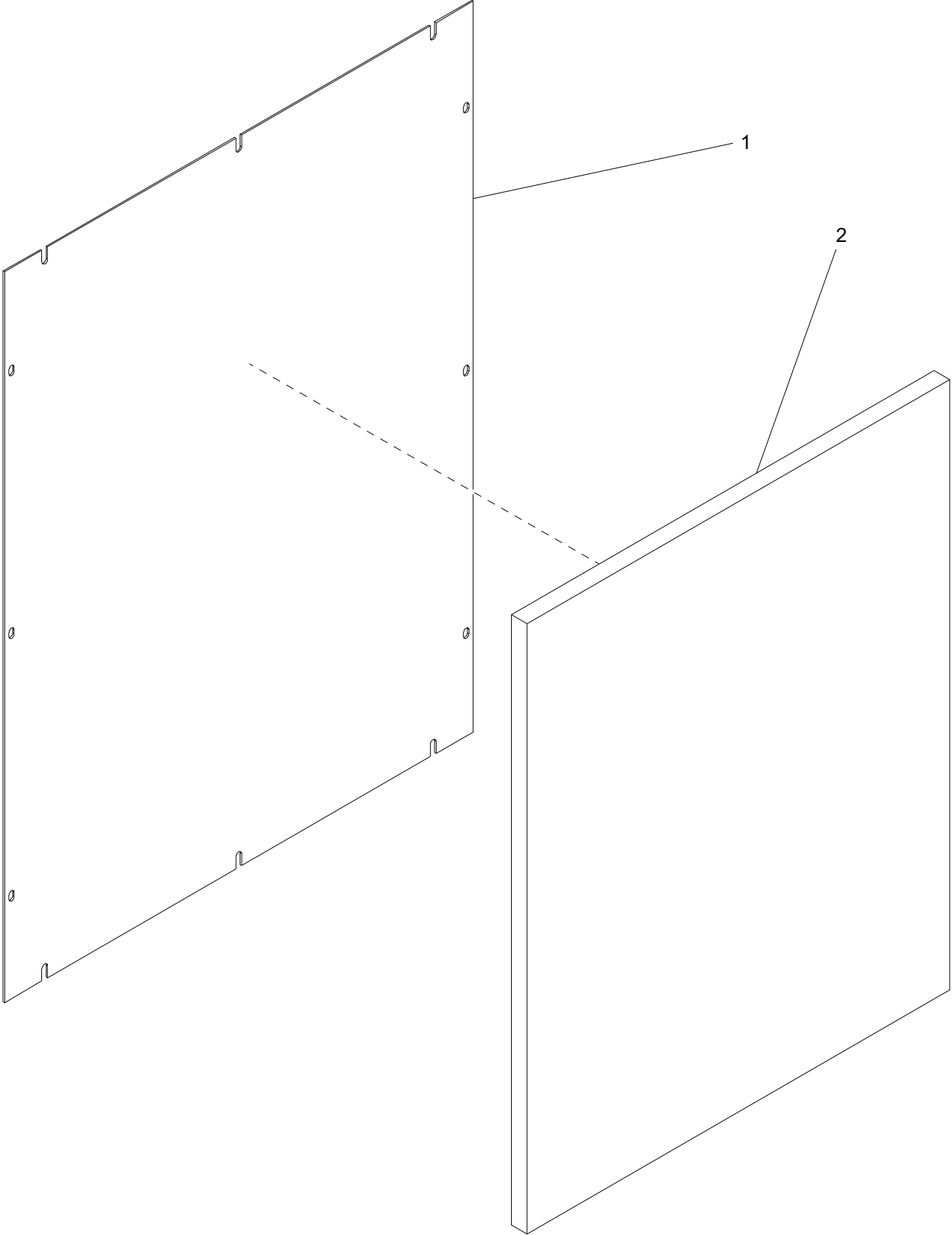
REAR ROOF PANEL ASSEMBLY



REAR ROOF PANEL ASSEMBLY

ITEM	PART NO.	QTY	DESCRIPTION	NOTES
1	22067W	1	Panel, roof rear	
2	22173	1	Foam, rear roof panel	
--	22090	1	Assembly, rear roof	Items 1-2

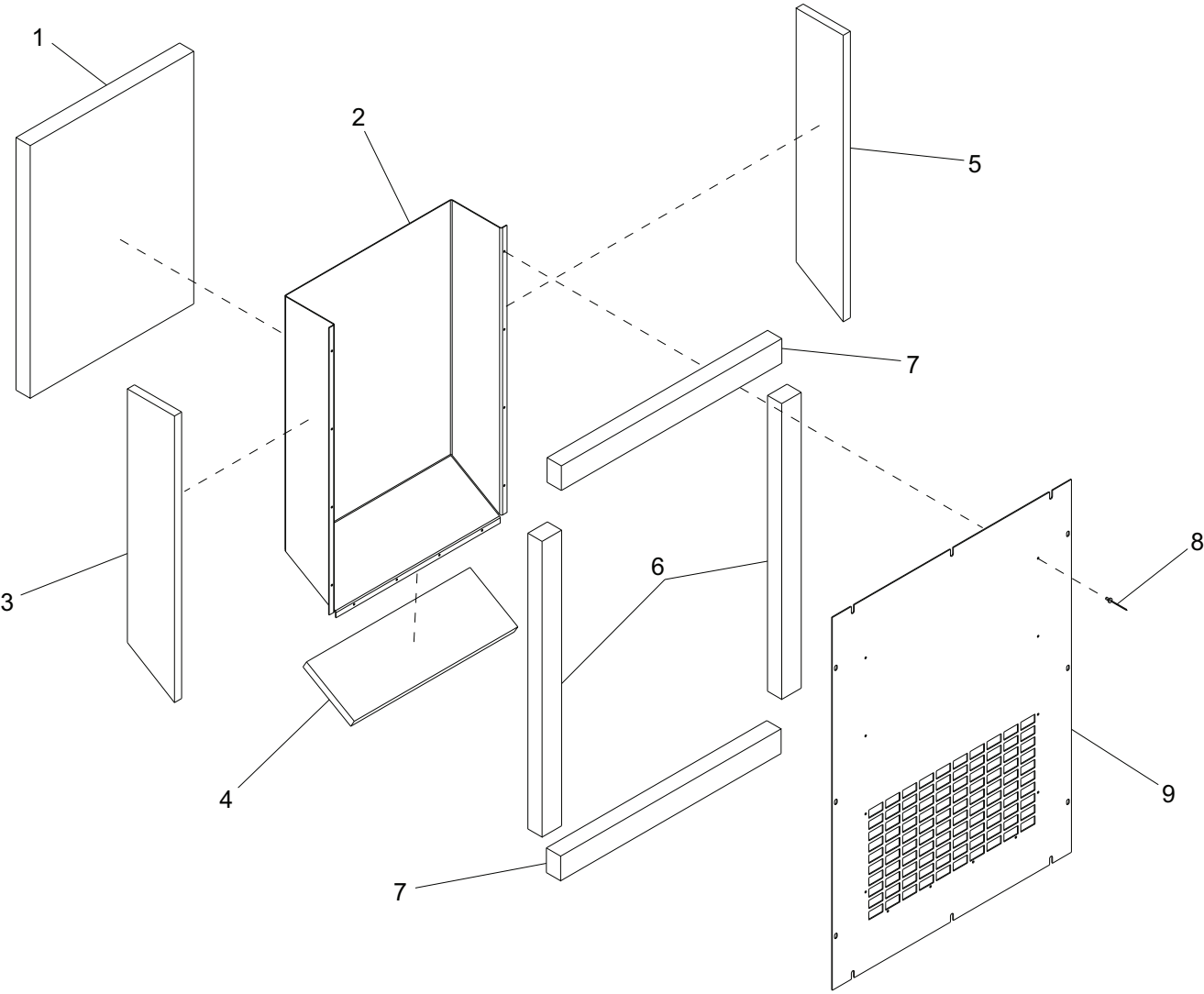
FRONT PANEL ASSEMBLY



FRONT PANEL ASSEMBLY

ITEM	PART NO.	QTY	DESCRIPTION	NOTES
1	22065W	1	Panel, front	
2	22183	1	Foam, front panel	
--	22089	1	Assembly, front panel	Items 1-2

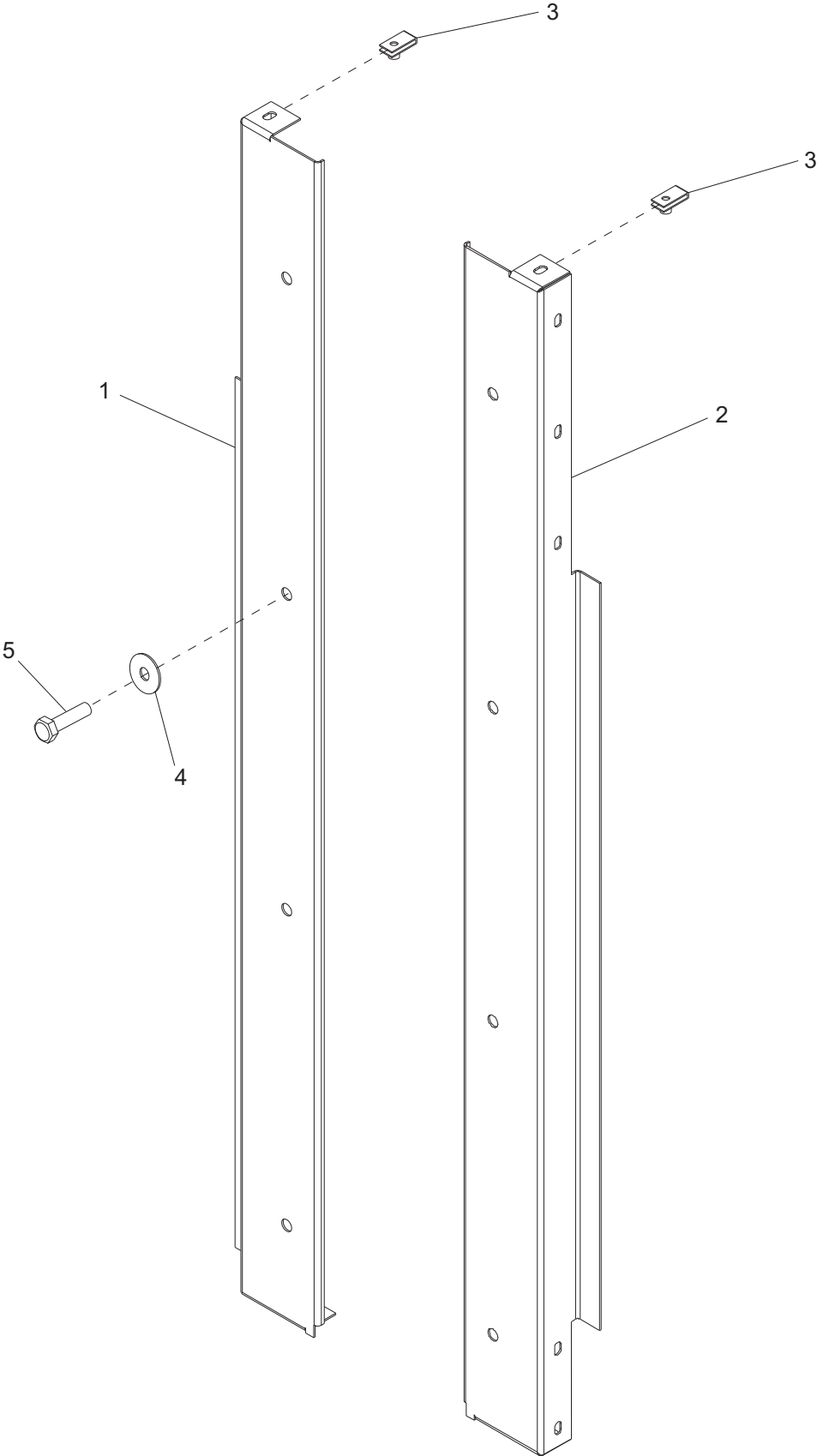
REAR PANEL ASSEMBLY



REAR PANEL ASSEMBLY

ITEM	PART NO.	QTY	DESCRIPTION	NOTES
1	22184	1	Foam, panel - rear duct face	
2	22138W	1	Duct, rear	
3	21966	1	Foam, duct (L)	
4	22185	1	Foam, rear duct lower	
5	21965	1	Foam, duct (R)	
6	21989	2	Foam, panel long	
7	22186	2	Foam, rear panel short	
8	60268	12	Rivet, .188 dia x .126 to .250 grip	
9	22066W	1	Panel, rear	
--	22144	1	Assembly, rear panel	Items 1-9

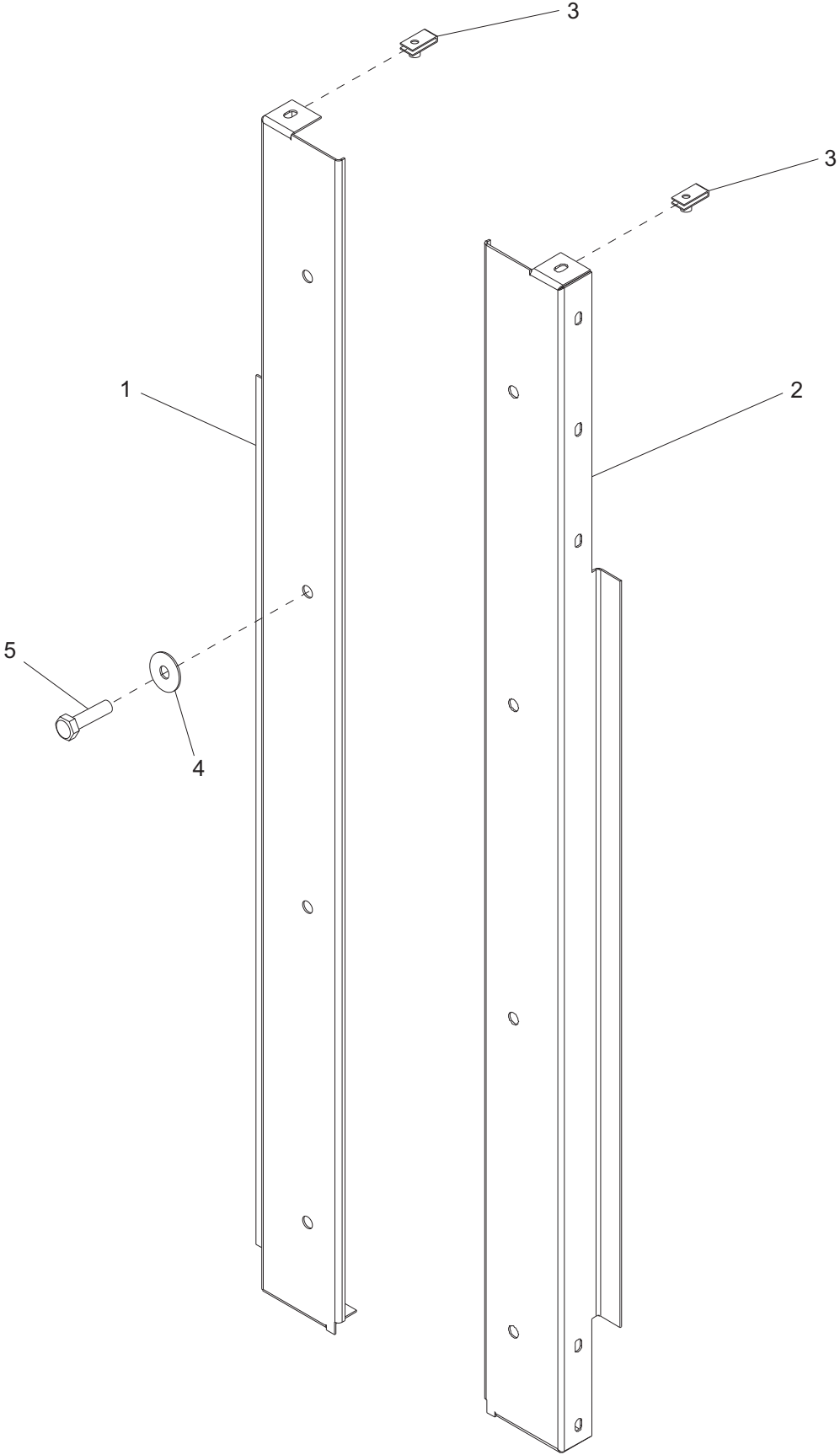
LEFT SIDE CENTER PANEL ASSEMBLY



LEFT SIDE CENTER PANEL ASSEMBLY

ITEM	PART NO.	QTY	DESCRIPTION	NOTES
1	22131W	1	Panel, left/middle/front	
2	22130W	1	Panel, right/middle/front	
3	60505	2	Nut, .312-18 U-clip – long type	
4	60452	8	Washer, .313 flat 1.125/1.0 bnd rbr, SS	
5	60507	8	Screw, .312-18 x 1.0 std hex, SS	

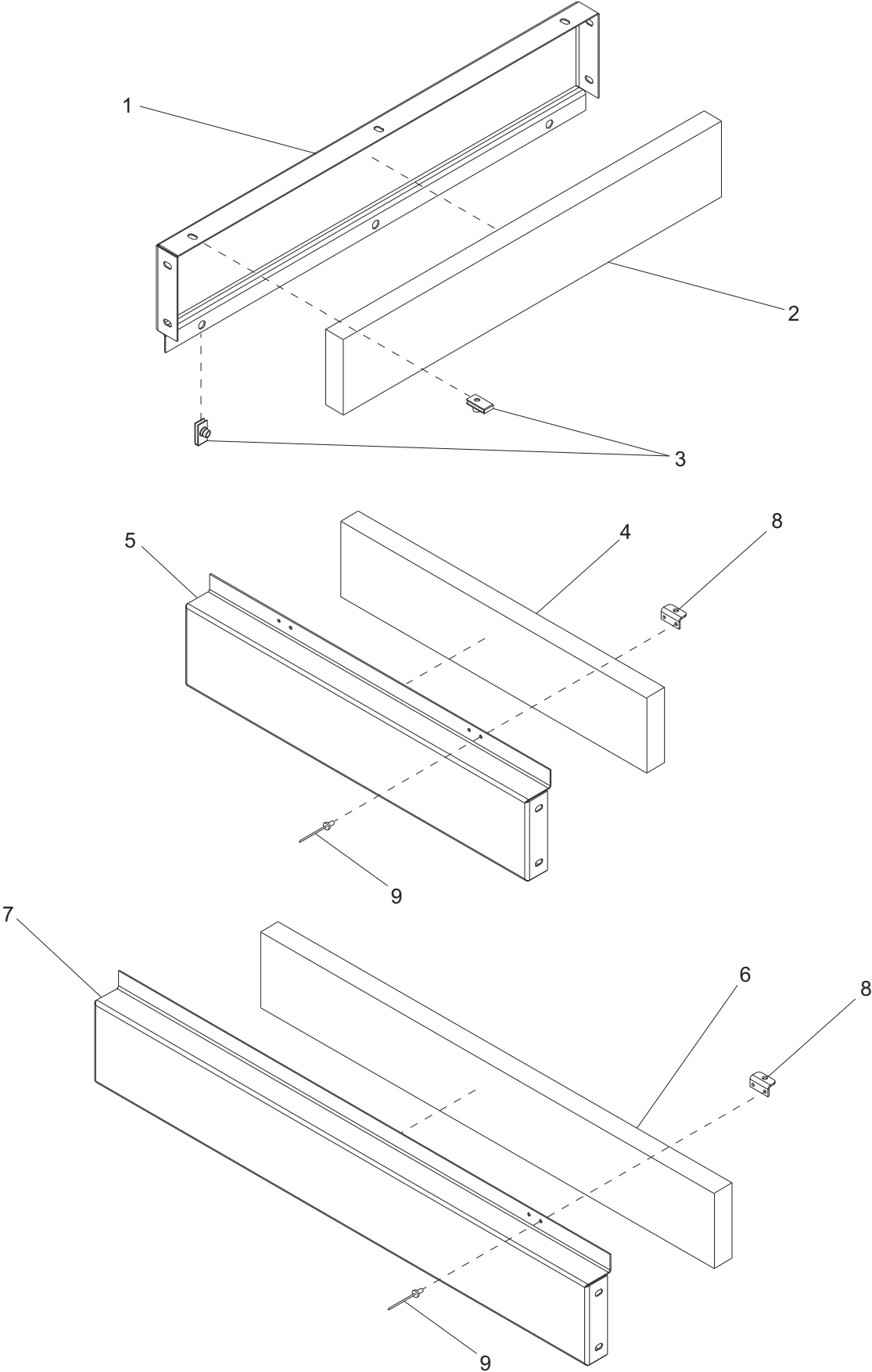
RIGHT SIDE CENTER PANEL ASSEMBLY



RIGHT SIDE CENTER PANEL ASSEMBLY

ITEM	PART NO.	QTY	DESCRIPTION	NOTES
1	22129W	1	Panel, right/middle/rear	
2	22130W	1	Panel, right/middle/front	
3	60505	2	Nut, .312-18 U-clip – long type	
4	60452	8	Washer, .313 flat 1.125/1.0 bnd rbr, SS	
5	60507	8	Screw, .312-18 x 1.0 std hex, SS	

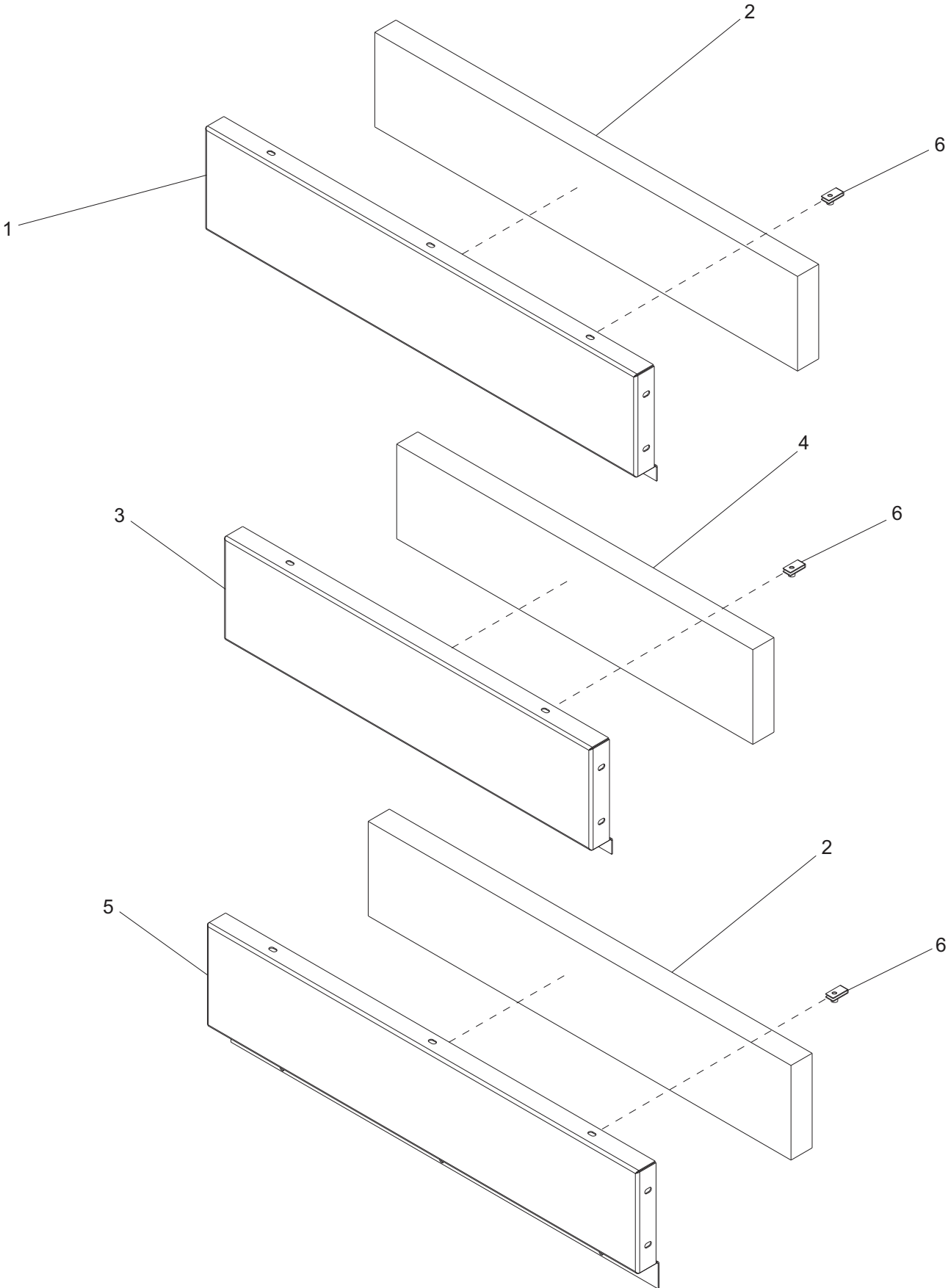
END AND LOWER SIDE PANEL ASSEMBLY



END AND LOWER SIDE PANEL ASSEMBLY

ITEM	PART NO.	QTY	DESCRIPTION	NOTES
1	22064W	4	Panel, end	
2	22178	4	Foam, end panel	
--	22088	4	Assembly, front/rear panel	Items 1-2
3	60505	24	Nut, .312-18 U-clip – long type	
4	22180	2	Foam, lower side panel	
5	22134W	2	Panel, lower side	
--	22140	2	Assembly, front lower panel	Items 4-5
6	22182	1	Foam, lower side panel	
7	22137W	1	Panel, side	
--	22143	1	Assembly, rear lower panel	Items 6-7
8	20916Z	2	Bracket, prop rod	
9	60268	4	Rivet, .188 dia x .126 to .250 grip	

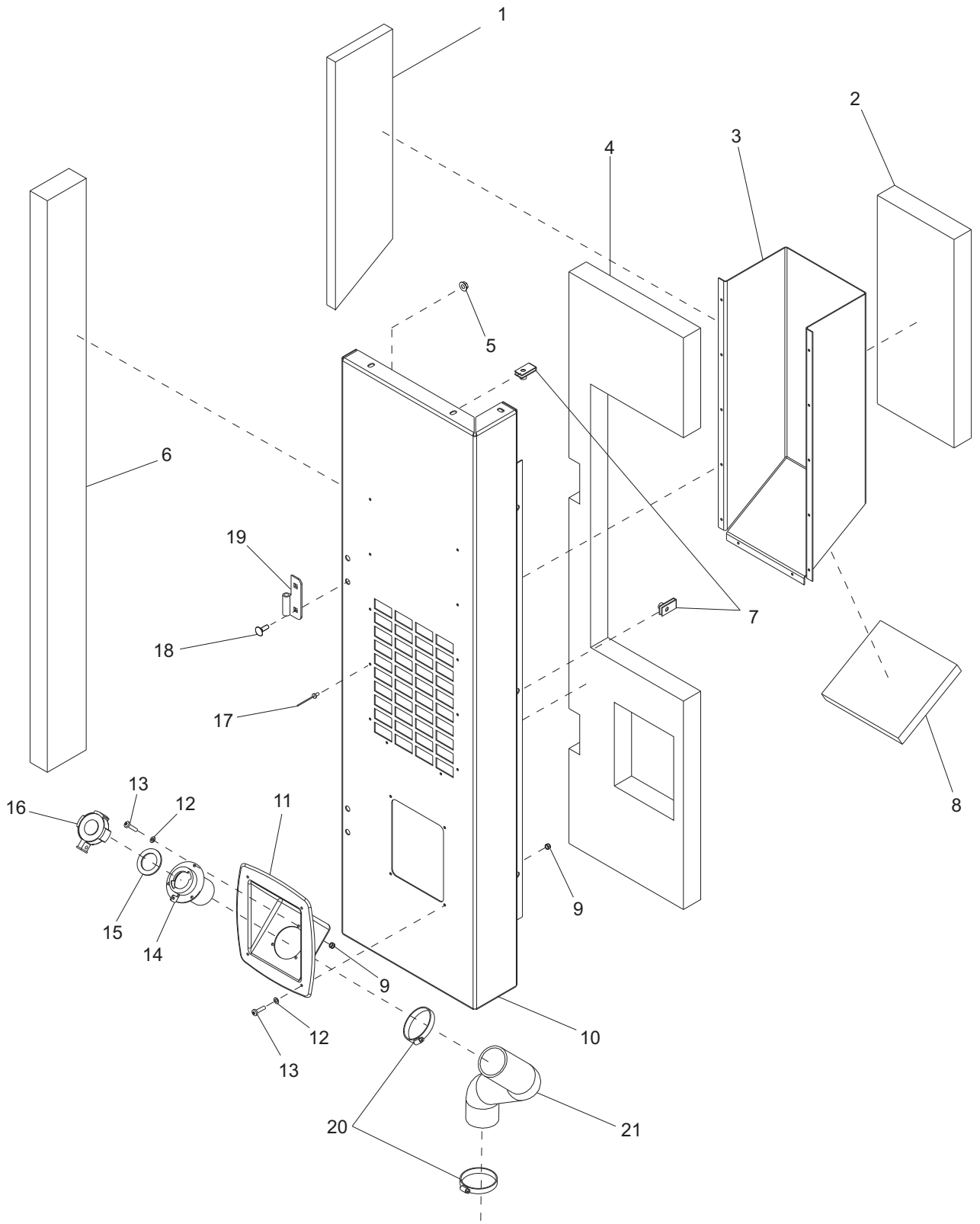
UPPER SIDE PANEL ASSEMBLY



UPPER SIDE PANEL ASSEMBLY

ITEM	PART NO.	QTY	DESCRIPTION	NOTES
1	22135W	1	Panel, left rear upper	
2	22181	2	Foam, right rear upper	
--	22141	1	Assembly, rear/left upper panel	Items 1-2
3	22133W	2	Panel, right front upper	
4	22179	2	Foam, right front upper	
--	22139	2	Assembly, front upper panel	Items 3-4
5	22136W	1	Panel, right rear upper	
--	22142	1	Assembly, rear/right upper panel	Items 2 & 5
6	60505	8	Nut, .312-18 U-clip – long type	

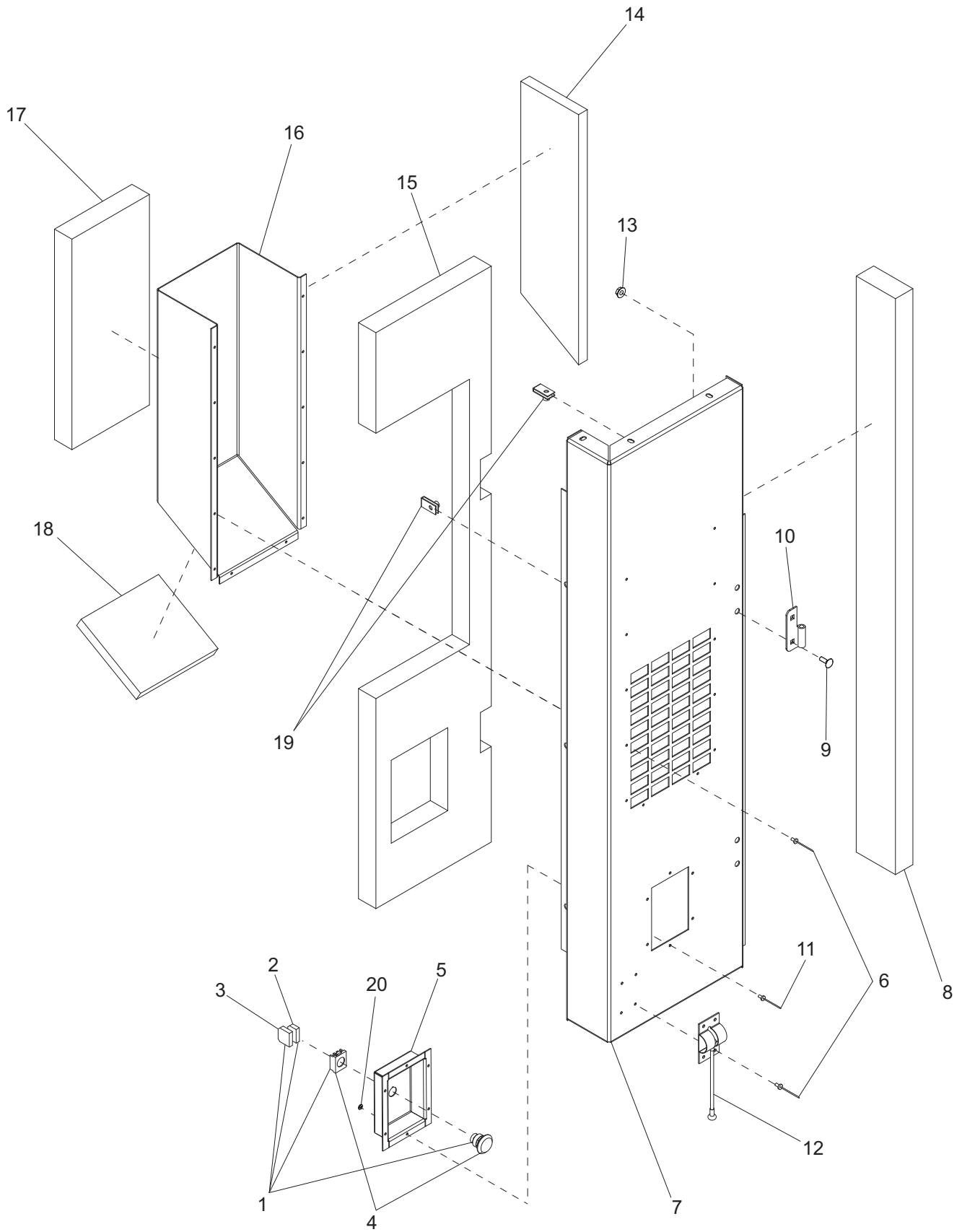
LEFT REAR CORNER ASSEMBLY



LEFT REAR CORNER ASSEMBLY

ITEM	PART NO.	QTY	DESCRIPTION	NOTES
1	21970	1	Foam, small duct right	
2	21968	1	Foam, small duct face	
3	21871W	1	Duct, side air	
4	22176	1	Foam, rear left corner	
5	60243	4	Washer, .250 flat .735/.060	
6	60271	4	Washer, .312 split lock	
7	60285	4	Nut, .312-18 hex, grade 2	
8	21969	1	Foam, small duct lower	
9	60530	7	Nut, 10-24 nylock, SS	
10	22062W	1	Panel, left rear	
11	18506	1	Port, fuel fill	
12	60067	7	Washer, #10 flat, SS	
13	60529	7	Screw, 10-24 x .625 pan phil, SS	
14	18666B	1	Tube, filler	
15	19238	1	Gasket, fuel fill	
16	18648	1	Cap, fuel fill	
17	60268	12	Rivet, .188 dia x .126 to .250 grip	
18	61066	4	Screw, .312-18 x 1.0 carr sqr, SS	
19	18460	2	Hinge, right (female)	
20	21963	1	Foam, corner	
21	60505	6	Nut, .312-18 U-clip – long type	
--	22086	1	Assembly, left rear corner	Items 1-21

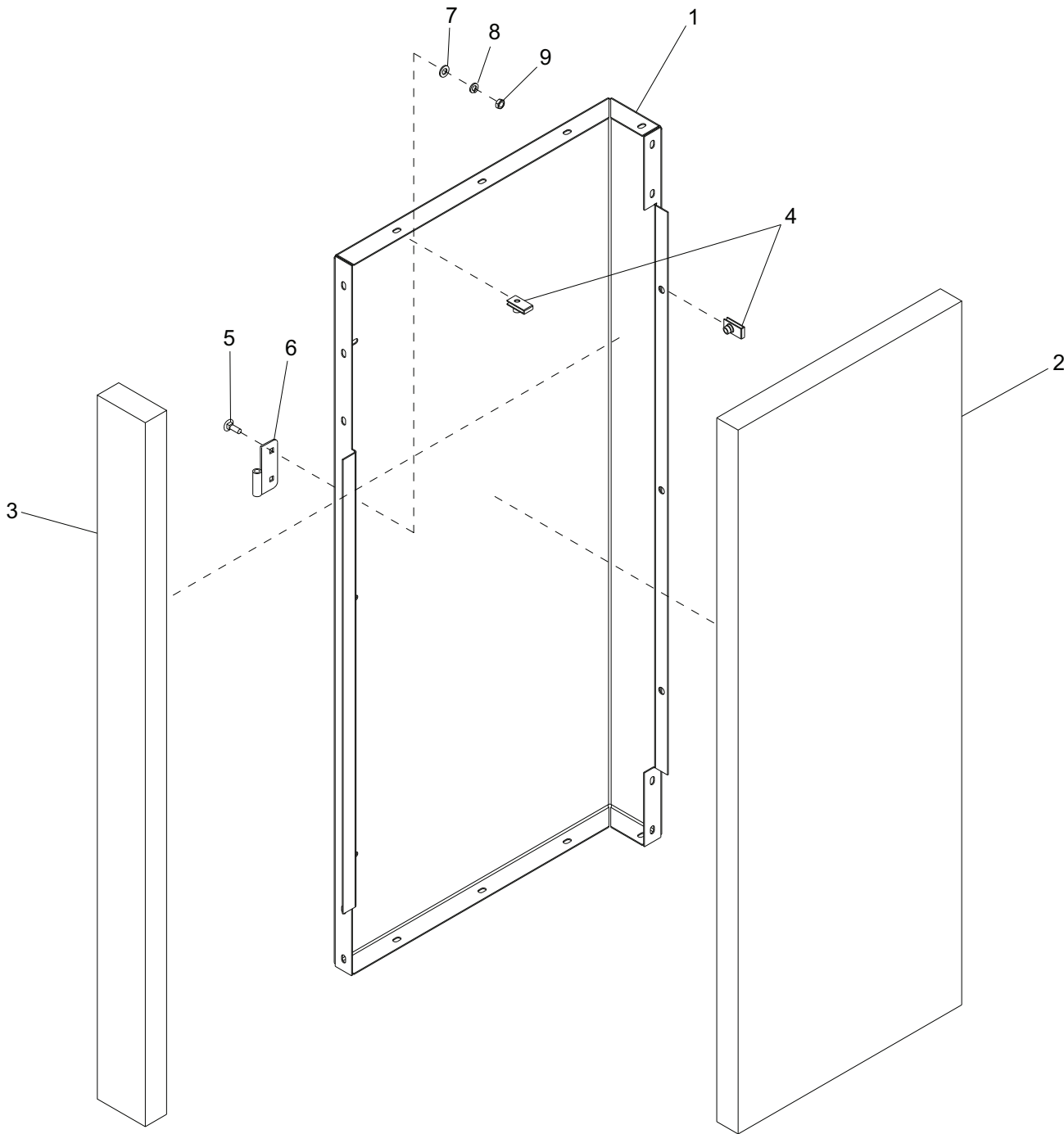
RIGHT REAR CORNER ASSEMBLY



RIGHT REAR CORNER ASSEMBLY

ITEM	PART NO.	QTY	DESCRIPTION	NOTES
1	22550	1	Switch, E-stop – 2NO/1NC	
2	65580	1	Block, E-stop contactor – NC	
3	65584	1	Block, E-stop contactor – NO/ NO	
4	65470	1	Switch, E-stop operator	
5	30645	1	Panel, emergency stop	
6	60268	22	Rivet, .188 dia x .126 to .250 grip	
7	22063W	1	Panel, rear right	
8	21963	1	Foam, corner	
9	61066	4	Screw, .312-18 x 1.0 carr sqr, SS	
10	18462	2	Hinge, left (female)	
11	60260	6	Rivet, .188 dia x .375 to .500 grip	
12	62225	1	Latch, door - stainless cable w/ball	
13	60285	4	Nut, .312-18 hex, grade 2	
14	21971	1	Foam, duct (L)	
15	22177	1	Foam, rear right corner	
16	21871W	1	Duct, side	
17	21968	1	Foam, duct face	
18	21969	1	Foam, duct lower	
19	60505	6	Nut, .312-18 U-clip – long type	
20	60067	6	Washer, #10 flat .435/.060, SS	
--	22087	1	Assembly, right rear corner	Items 1-20

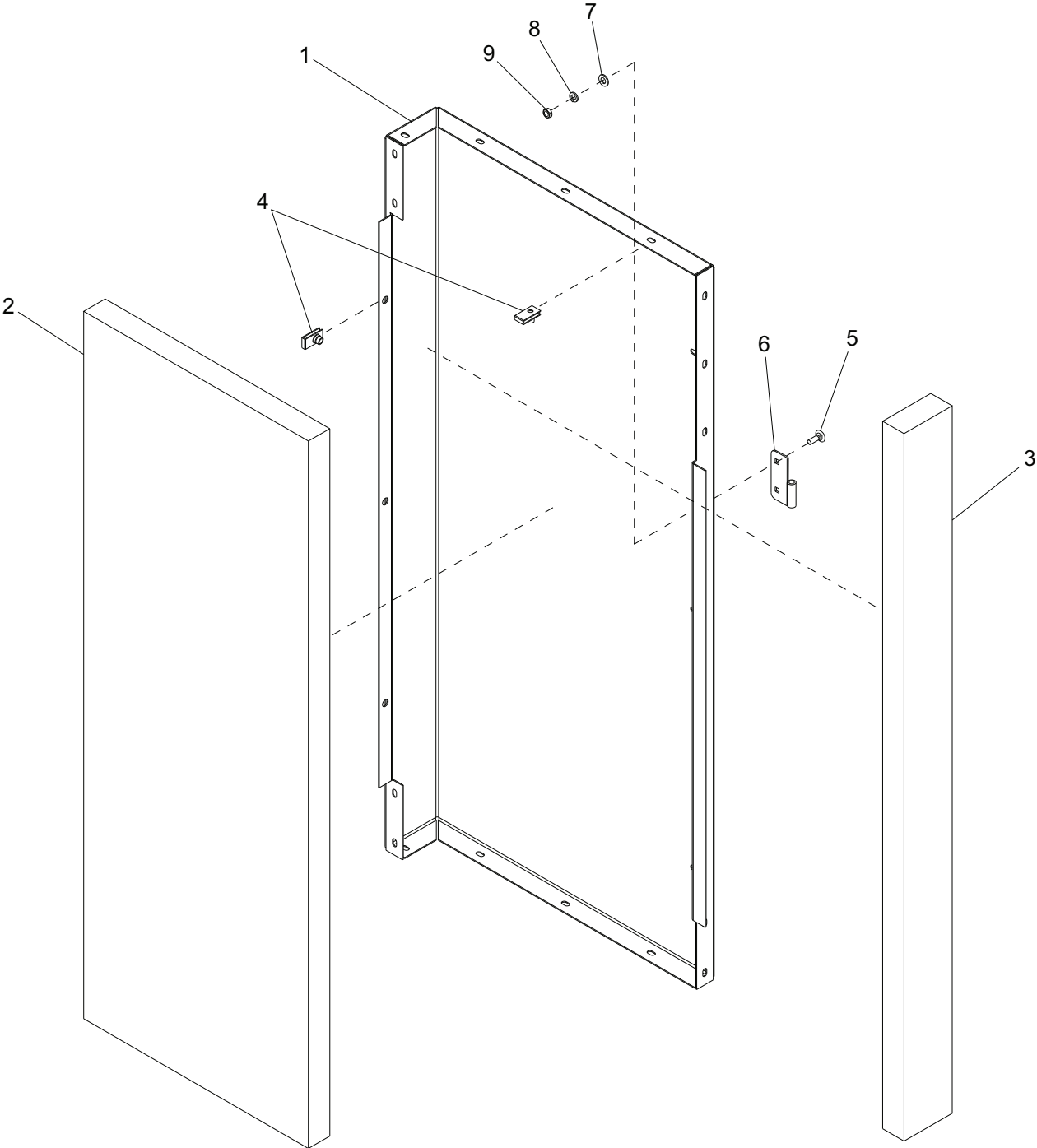
LEFT FRONT CORNER ASSEMBLY



LEFT FRONT CORNER ASSEMBLY

ITEM	PART NO.	QTY	DESCRIPTION	NOTES
1	22052W	1	Panel, front left	
2	21956	1	Foam, front left	
3	21963	1	Foam, corner	
4	60505	7	Nut, .312-18 U-clip – long type	
5	61066	4	Screw, .312-18 x 1.0 carr sqr, SS	
6	18462	2	Hinge, left (female)	
7	60243	4	Washer, .250 flat .735/.060	
8	60271	4	Washer, .312 split lock	
9	60285	4	Nut, .312-18 hex, grade 2	
--	22080	1	Assembly, left front corner	Items 1-9

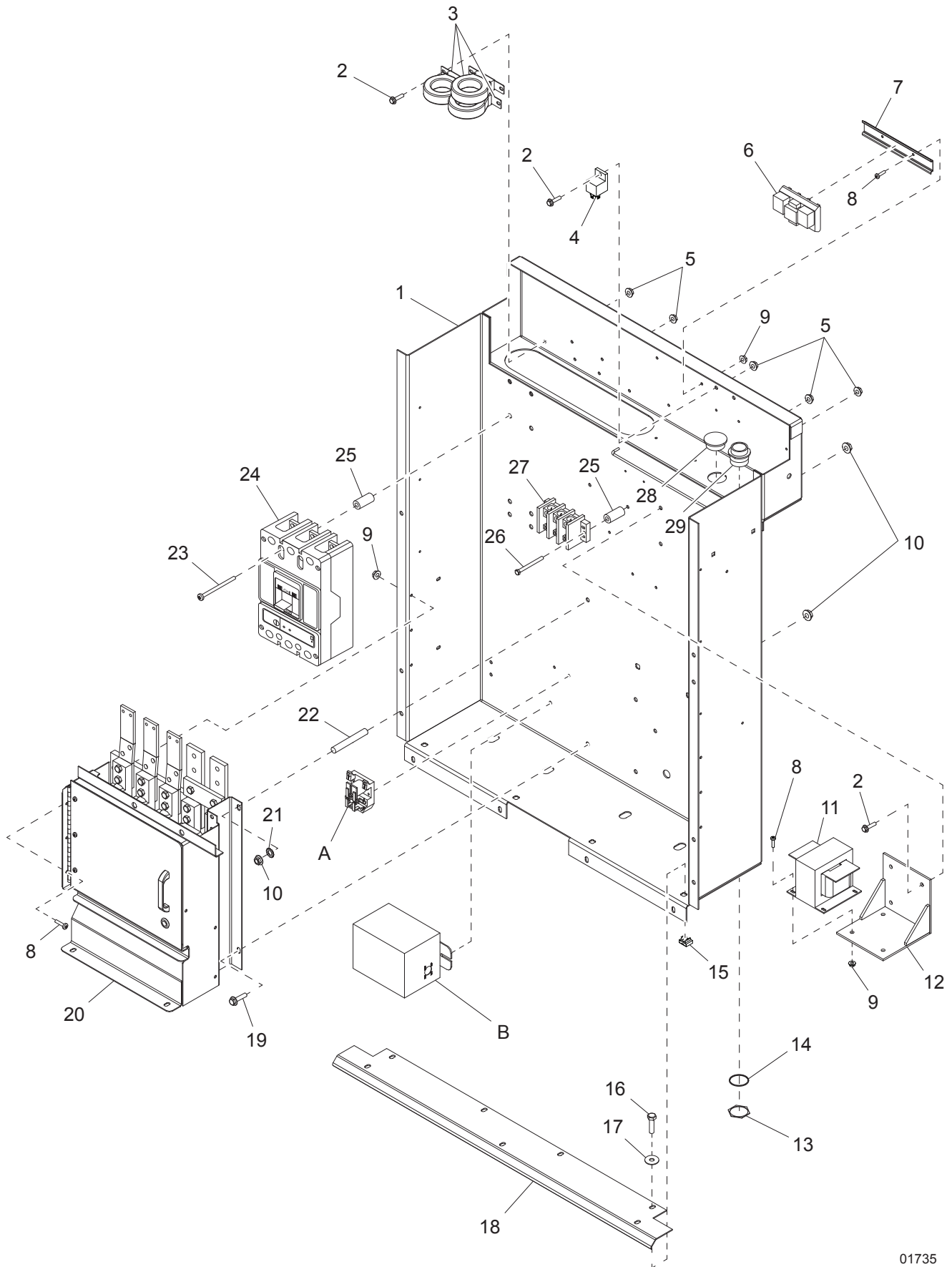
RIGHT FRONT CORNER ASSEMBLY



RIGHT FRONT CORNER ASSEMBLY

ITEM	PART NO.	QTY	DESCRIPTION	NOTES
1	22053W	1	Panel, front right	
2	21956	1	Foam, front right	
3	21963	1	Foam, corner	
4	60505	7	Nut, .312-18 U-clip – long type	
5	61066	4	Screw, .312-18 x 1.0 carr sqr, SS	
6	18460	2	Hinge, right (female)	
7	60243	4	Washer, .250 flat .735/.060	
8	60271	4	Washer, .312 split lock	
9	60285	4	Nut, .312-18 hex, grade 2	
--	22079	1	Assembly, right front corner	Items 1-9

CONTROL BOX ASSEMBLY (1 OF 2)



01735

CONTROL BOX ASSEMBLY (1 OF 2)

ITEM	PART NO.	QTY	DESCRIPTION	NOTES
1	28653B	1	Weldment, control box	
2	60175	11	Screw, .250-20 x .500 sflg hex, G5	
3	65444	3	Transformer, current	
4	66455	1	Relay, 12V 70A NC/80A NO w/diode	
5	60161	17	Nut, .250-20 sflg, G5	
6	66864	1	Assembly, transformer board	MMG235CAN6 only
7	67129	1	Rail, din - 35 mm x 7.0 in	MMG235CAN6 only
8	60398	9	Screw, 10-32 x .500 pan phil, SS	
9	61045	9	Nut, 10-32 sflg	
10	60020	3	Nut, M8-1.25 sflg, G8.8	
11	66109	1	Transformer, 600V dedicated gen	MMG235CAN6 only
12	34454B	1	Bracket, transformer - 600V	MMG235CAN6 only
13	65416	1	Nut, Deutsch 21-pin plug	
14	65417	1	Washer, lock, 21-pin Deutsch	
15	15425	4	Nut, .312-18 cage	
16	60507	4	Screw, .312-18 x 1.0 std hex, SS	
17	60452	4	Washer, .313 flat 1.125/1.0 bnd rbr, SS	
18	28582B	1	Panel, cable guard	
19	60160	3	Screw, M8-1.25 x 30 sflg hex, G8.8	
20	<i>Page 50</i>	1	Assembly, lug box	
21	60069	1	Washer, M8 external star	
22	18992	1	Stud, ground - M8 x 1.25 x 100 mm	
23	60371	4	Screw, .250-20 x 3.0 pan phil, G5	
24	65355	1	Breaker, 800A, 3 pole	
25	28581B	6	Spacer, breaker - 1.5 in. long	
26	60259	2	Screw, .250-20 x 2.50 std hex, G5	
27	65356	1	Block, terminal - 3 pole, Bussman	
28	66044	1	Plug, Deutsch connector hole	
29	65309	1	Connector, Deutsch - 21 pos. receptacle	
--	66456	1	Connector, 70A relay	
--	60749	2	Plug, hole .500 dia	

OPTIONAL FEATURES

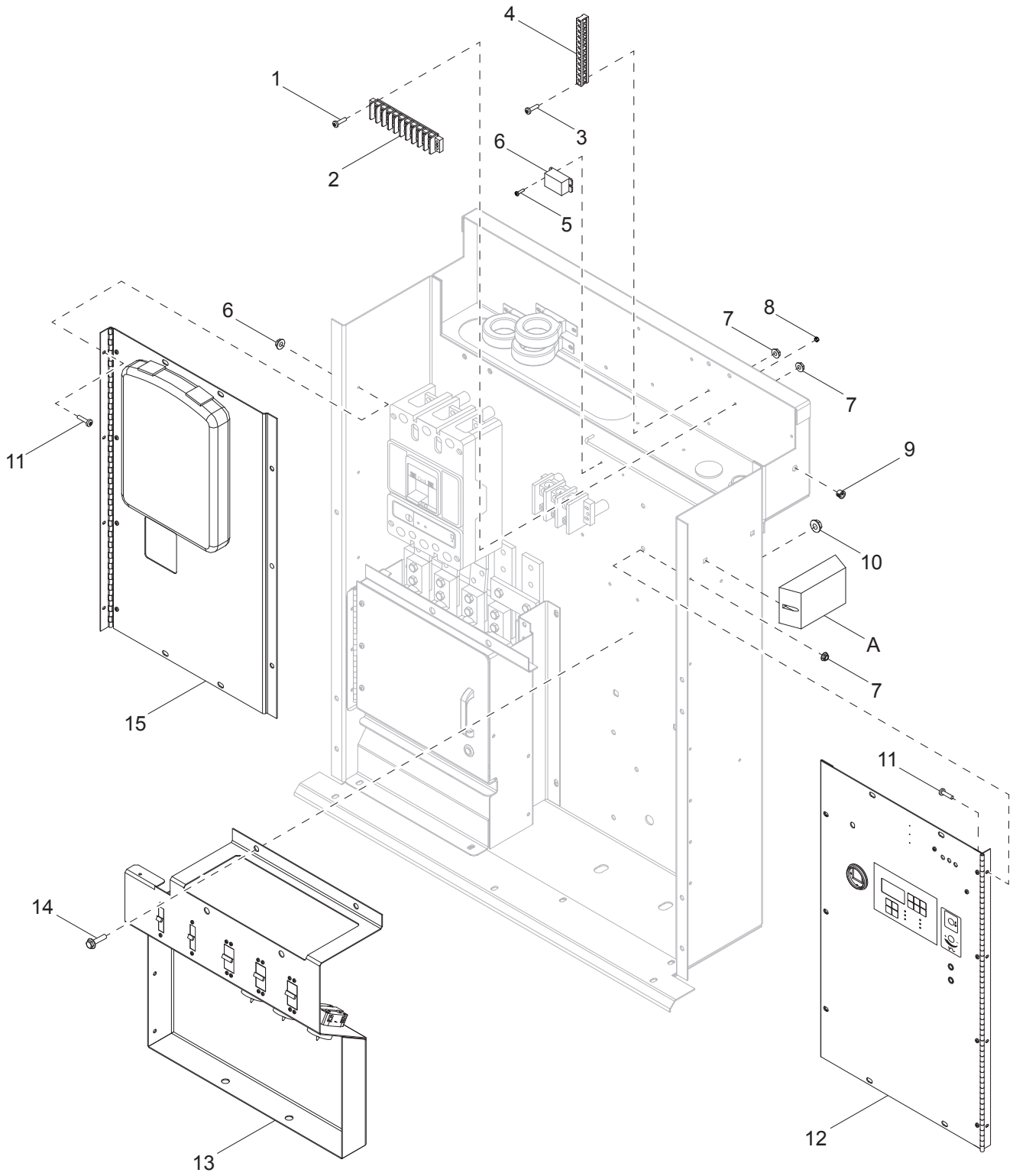
Buck Transformer:

A	65461	1	Relay, 30A DPDT 120VAC
B	21487	1	Transformer, 1.13:1 1-phase 500VA
--	66340	1	Relay, voltage sensing
--	65644	1	Base, relay - 8 pos
--	65645	1	Relay, voltage sensing
--	66003	1	Rail, din 35MM x 6.00 in
--	60396	2	Screw, 10-32 x 1.250 pan phil, G2
--	60061	2	Nut, 10-32 nylock
--	67081	1	Wire group - buck transformer

4 Position Phase Switch (MMG235 & MMG235CAN only):

--	65644	1	Base, relay - 8 pos
--	65659	1	Relay, DPDT, 12VDC, 8 pos

CONTROL BOX ASSEMBLY (2 OF 2)



01734

CONTROL BOX ASSEMBLY (2 OF 2)

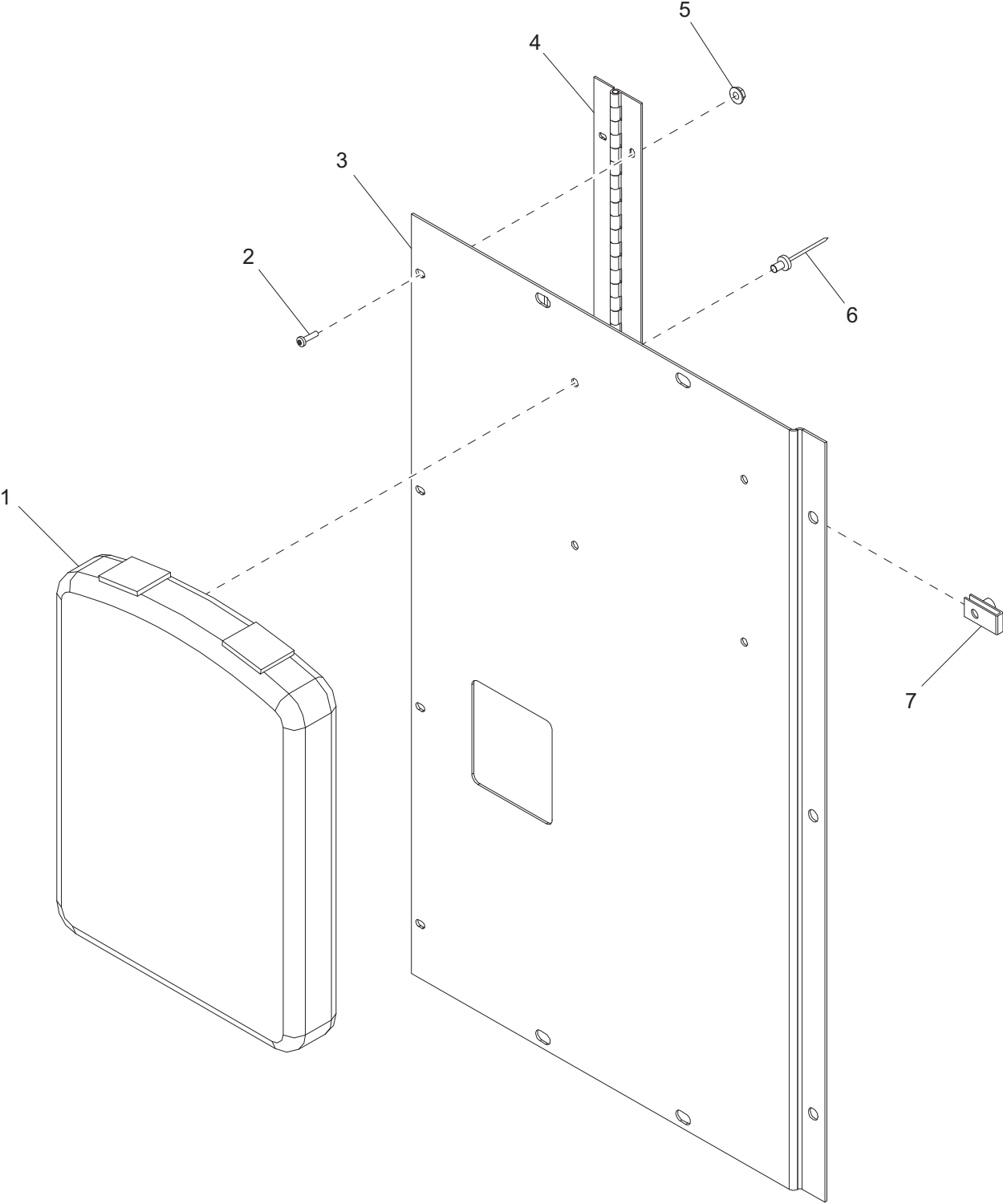
ITEM	PART NO.	QTY	DESCRIPTION	NOTES
1	60062	2	Screw, 10-32 x .750 pan phil, G2	
2	14203	1	Block, terminal - 10 pos	
3	60406	2	Screw, 8-32 x 1.00 pan phil G2	
4	14204	1	Kit, ground bar	
5	60526	2	Screw, 8-32 x .500 pan phil, G2	MMG235CAN6 only
6	67851	1	Relay, 30A/3A DPDT 12VDC coil	MMG235CAN6 only
7	61045	12	Nut, 10-32 sflg	
8	60318	2	Nut, 8-32 hex, G5	MMG235CAN6 only
9	19163	1	Fitting, bushing - .500 OD x .375 ID	
10	60020	2	Nut, M8-1.25 sflg, G8.8	
11	60398	8	Screw, 10-32 x .500 pan phil, SS	
12	Page 48	1	Assembly, right control panel	
13	Page 56	1	Assembly, outlet panel	
14	60160	2	Screw, M8-1.25 x 30 sflg hex, G8.8	
15	Page 46	1	Assembly, left control panel	
--	66045	1	Wire group - control box	

OPTIONAL FEATURES:

Battery Charger:

A	65326	1	Charger, battery - 2A, 3 stage, 1 output
--	60062	2	Screw, 10-32 x .750 pan phil, G2
--	61045	2	Nut, 10-32 sflg

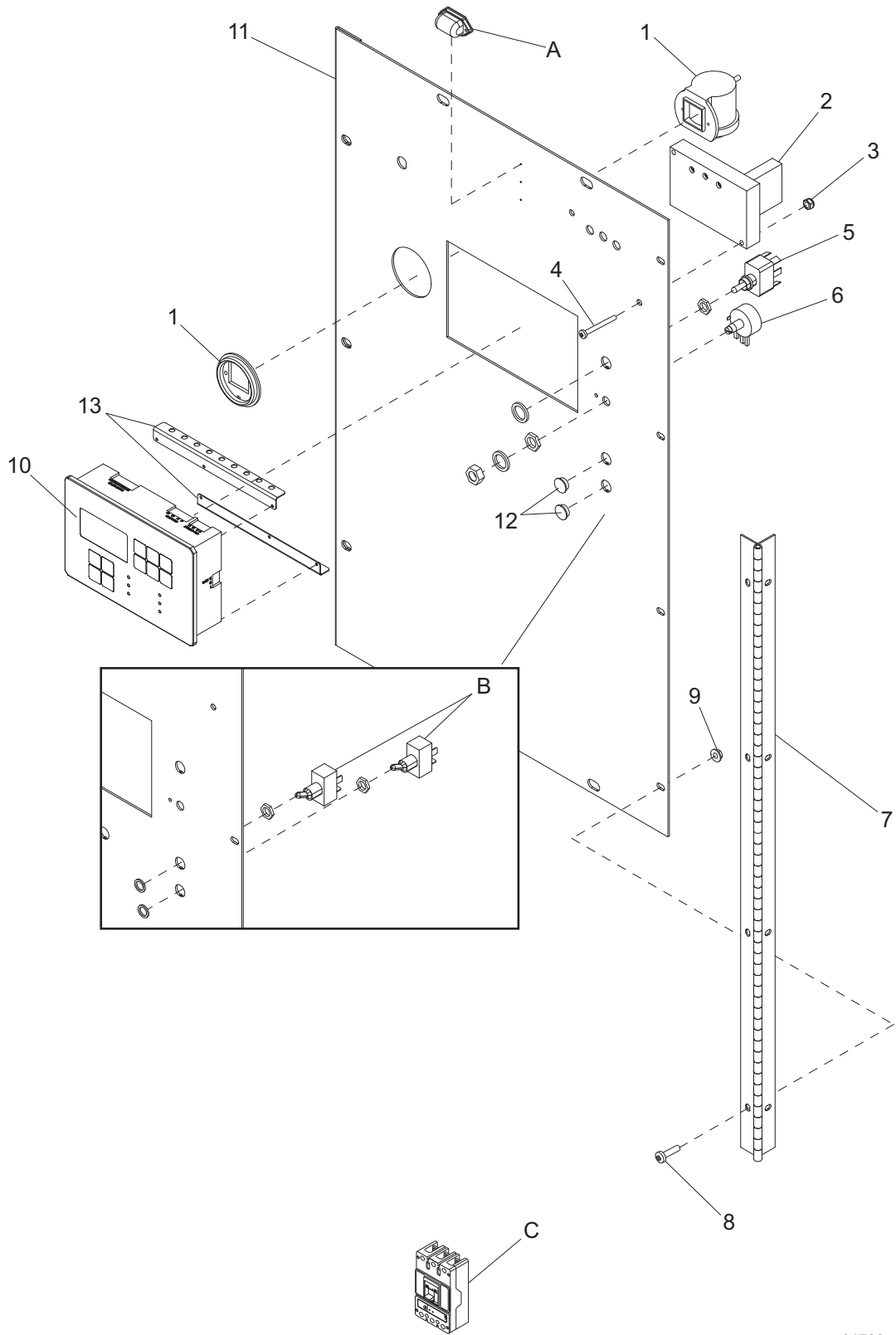
LEFT CONTROL PANEL ASSEMBLY



LEFT CONTROL PANEL ASSEMBLY

ITEM	PART NO.	QTY	DESCRIPTION	NOTES
1	24540	1	Holder, manual	
2	60398	4	Screw, 10-32 x .500 pan phil, SS	
3	28564W	1	Panel, control left	
4	22208	1	Hinge, left control panel	
5	61045	4	Nut, 10-32 sflg, G5	
6	60268	4	Rivet, .188 dia x .126 to .250 grip	
7	60505	3	Nut, .312-18 U-clip – long type	

RIGHT CONTROL PANEL ASSEMBLY



01732

RIGHT CONTROL PANEL ASSEMBLY

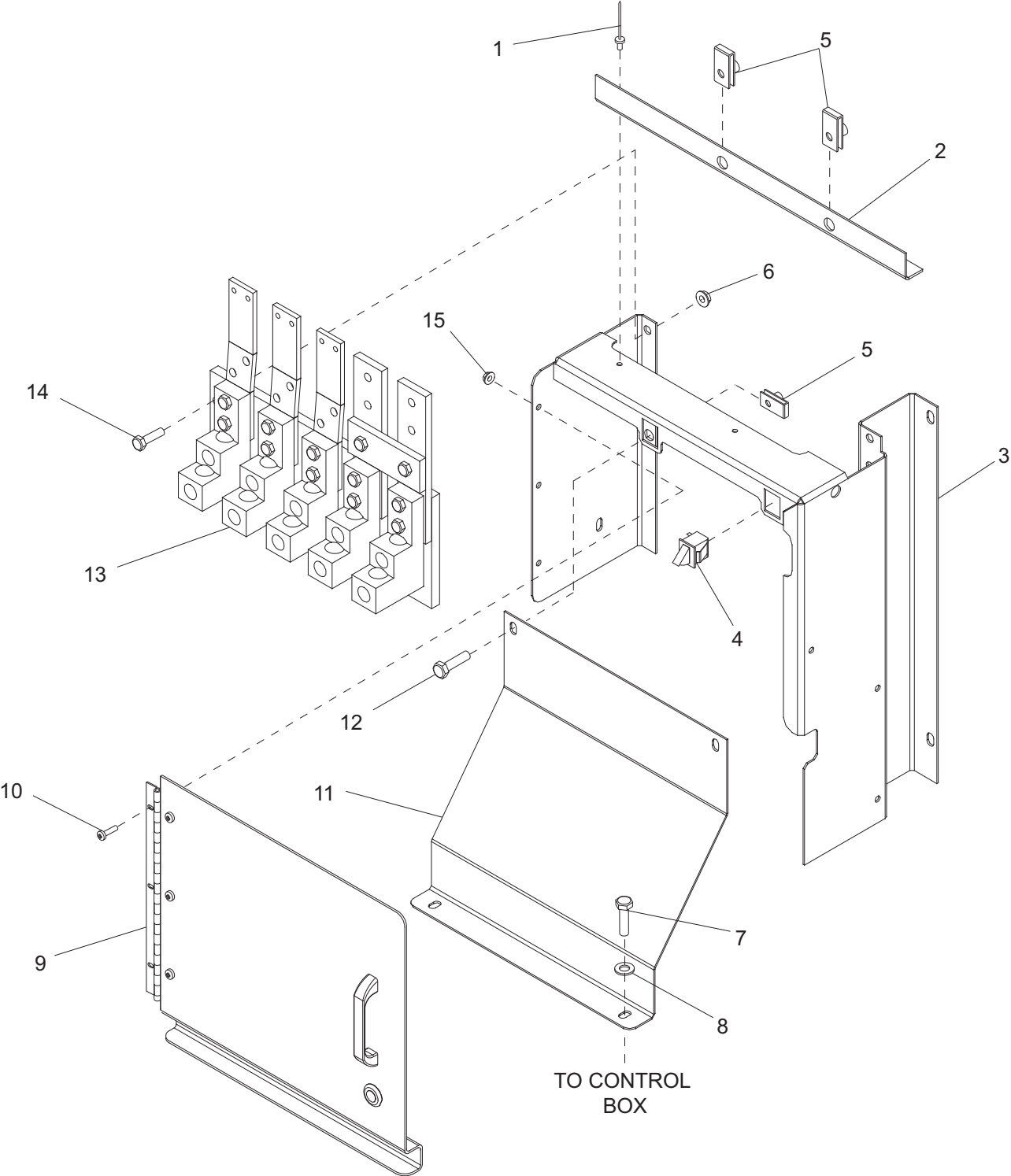
ITEM	PART NO.	QTY	DESCRIPTION	NOTES
1	18609	1	Kit, air filter minder	
2	18556	1	Regulator, voltage - SE 350	
3	60270	2	Nut, 8-32 nylock, class 6	
4	60525	2	Screw, 8-32 x 1.50 pan phil, G2	
5	25077	1	Switch, toggle - 20A VAC	
6	18113	1	Potentiometer 2.5k, 2 watt	
--	18934	1	Decal, potentiometer guard	
7	22208	1	Hinge, control panel - 28.0 in	
8	60398	4	Screw, 10-32 x .500 pan phil, SS	
9	61045	4	Nut, 10-32 sflg, G5	
10	66194	1	Controller, eng/gen - programmed	MMG235 & MMG235CAN only
	67105	1	Controller, eng/gen programmed, 600V	MMG235CAN6 only
11	28634W	1	Panel, digital control	
12	60749	2	Plug, hole .500 dia - white	
13	29893	2	Bracket, control board wire guide	

OPTIONAL FEATURES

Interior lighting:

A	23025	1	Light, interior control panel
B	25077	2	Switch, toggle - 20A VAC
C	65352	1 or 2	Breaker, 450A, 3 pole

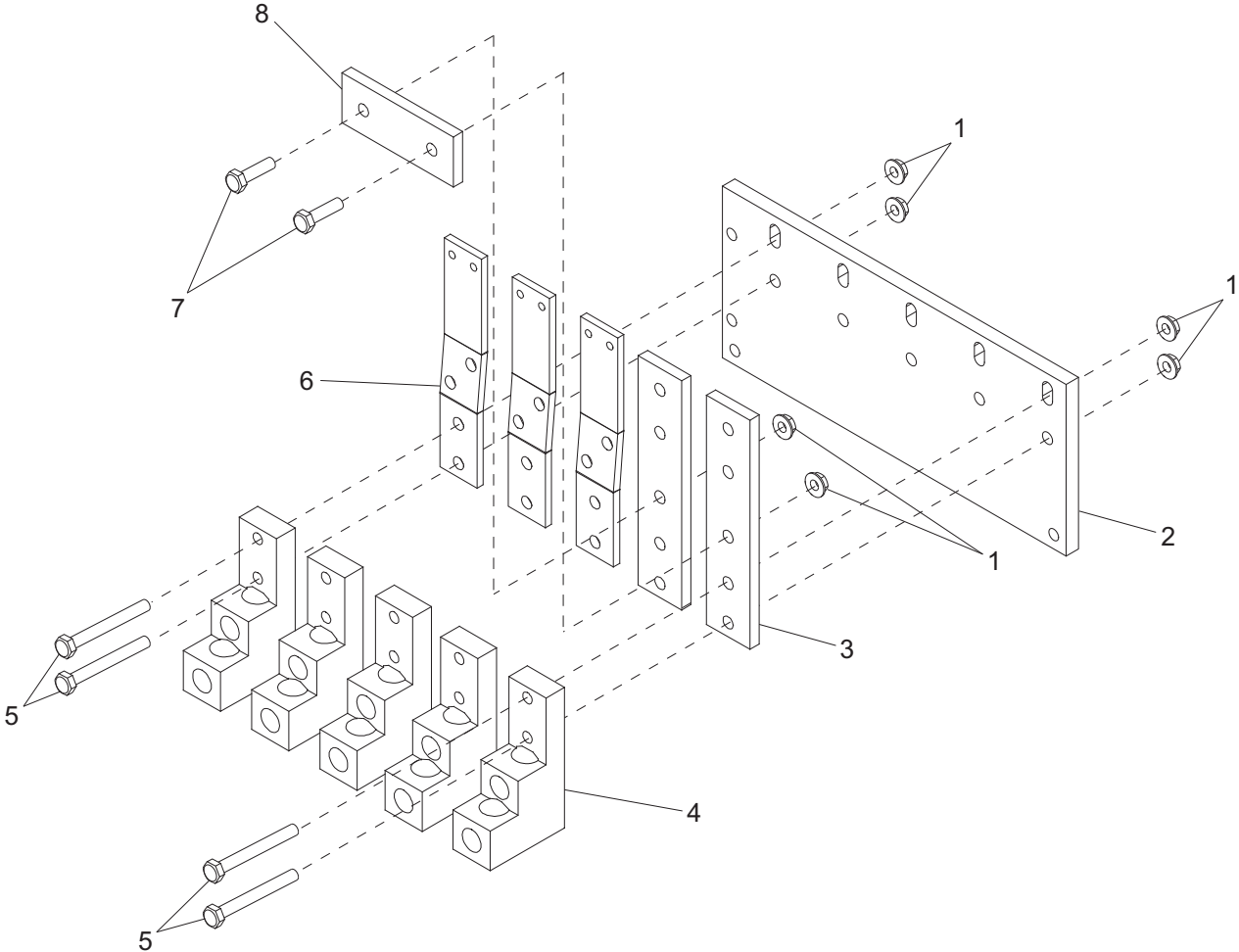
LUG BOX ASSEMBLY



LUG BOX ASSEMBLY

ITEM	PART NO.	QTY	DESCRIPTION	NOTES
1	60268	3	Rivet, .188 dia x .126 to .250 grip	
2	28583W	1	Angle, top lug box	
3	28561W	1	Box, lug enclosure	
4	12632	2	Switch, trigger safety, NO & NC	
5	60505	4	Nut, .312-18 U-clip – long type	
6	60145	2	Nut, .375-16 sflg, G5	
7	60507	2	Screw, .312-18 x 1.0 std hex, SS	
8	60452	2	Washer, .313 flat 1.125/1.0 bnd rbr, SS	
9	Page 54	1	Assembly, lug door	
10	60398	3	Screw, 10-32 x .500 pan phil, SS	
11	28569W	1	Panel, lug box outlet	
12	60168	2	Screw, .312-18 x .750 std hex, G5	
13	Page 52	1	Assembly, lug plate	
14	60205	2	Screw, .375-16 x 1.0 std hex, G5	
15	61045	3	Nut, 10-32 sflg, G5	

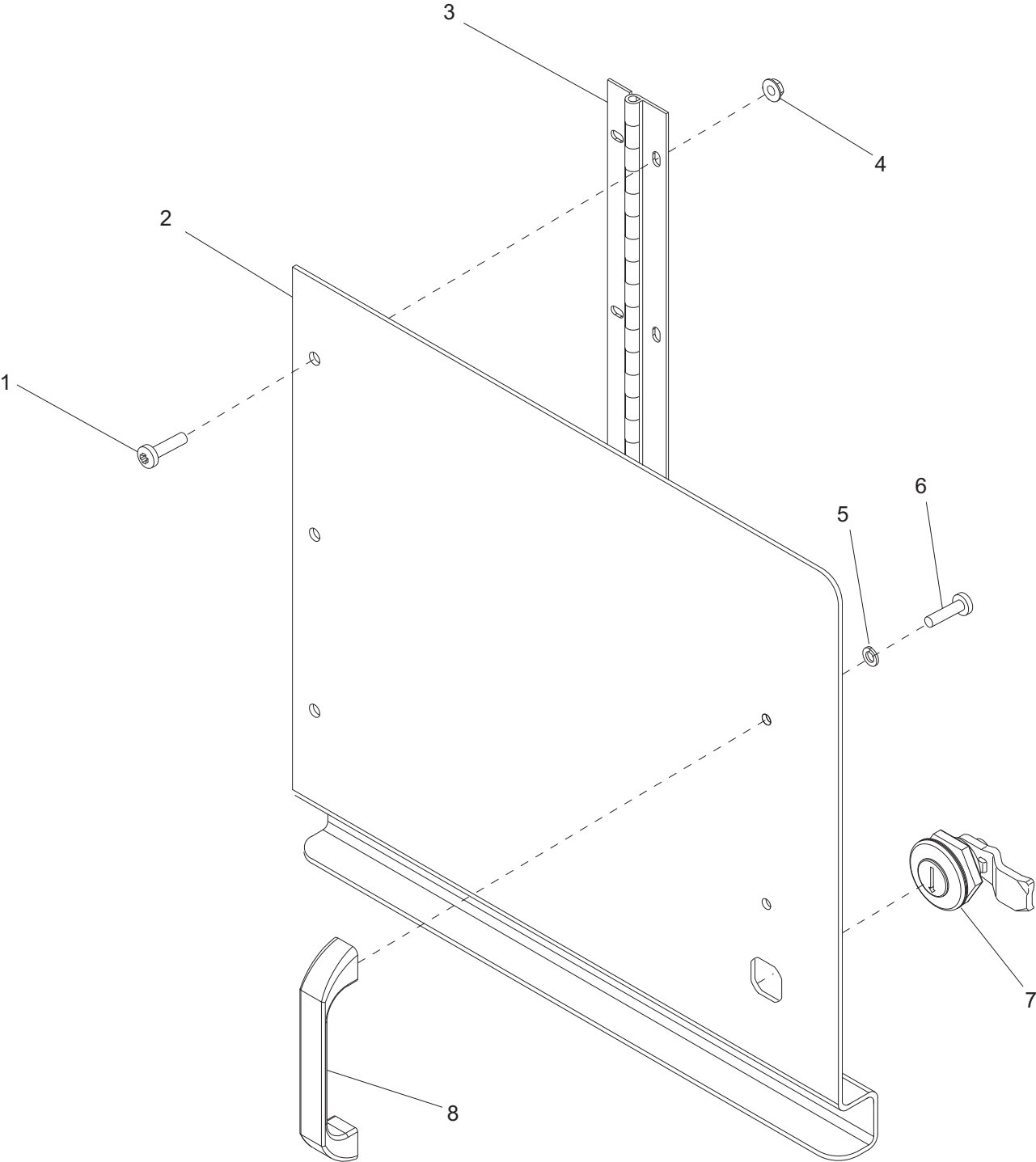
LUG PLATE ASSEMBLY



LUG PLATE ASSEMBLY

ITEM	PART NO.	QTY	DESCRIPTION	NOTES
1	60145	12	Nut, .375-16 sflg, G5	
2	27828	1	Panel, lug box glastic	
3	28584	2	Bus, lug extension	
4	65890	5	Lug, terminal dual #6-350mcm	
5	60478	10	Screw, .375-16 x 2.0 std hex, G5	
6	28567	3	Bus, main breaker out	
7	60205	2	Screw, .375-16 x 1.0 std hex, G5	
8	28585	1	Bus, grounding link	

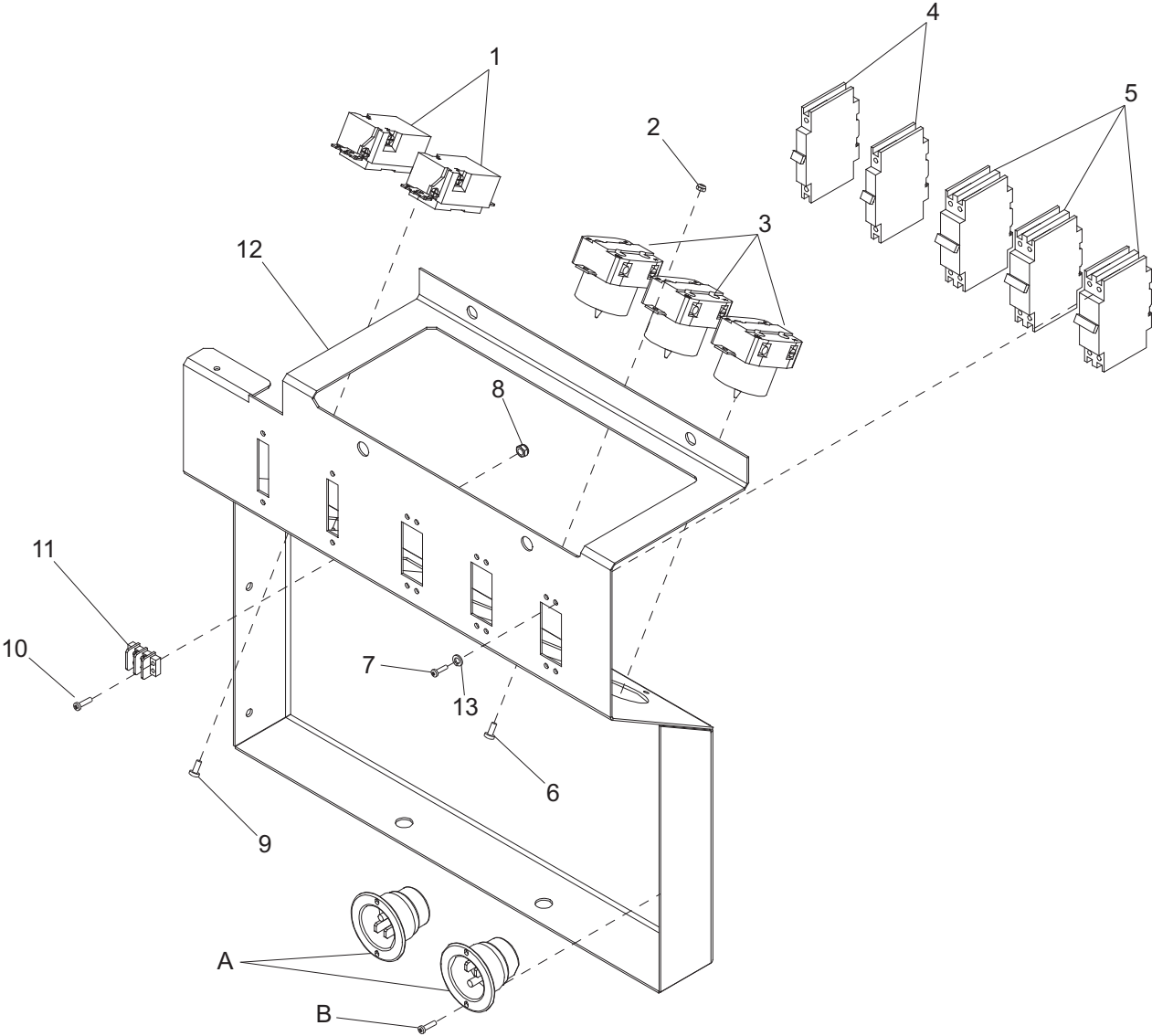
LUG BOX DOOR ASSEMBLY



LUG BOX DOOR ASSEMBLY

ITEM	PART NO.	QTY	DESCRIPTION	NOTES
1	60398	3	Screw, 10-32 x .500 pan phil, SS	
2	28570W	1	Door, lug box	
3	22018	1	Hinge, continuous - 10.25 in	
4	61045	3	Nut, 10-32 sflg, G5	
5	60252	2	Washer, #10 split lock	
6	60068	2	Screw, 10-24 x .500 pan phil, G2	
7	12547	1	Assembly, cam lock, qtr. turn	
8	18893	1	Handle, lug door	

OUTLET PANEL ASSEMBLY



OUTLET PANEL ASSEMBLY

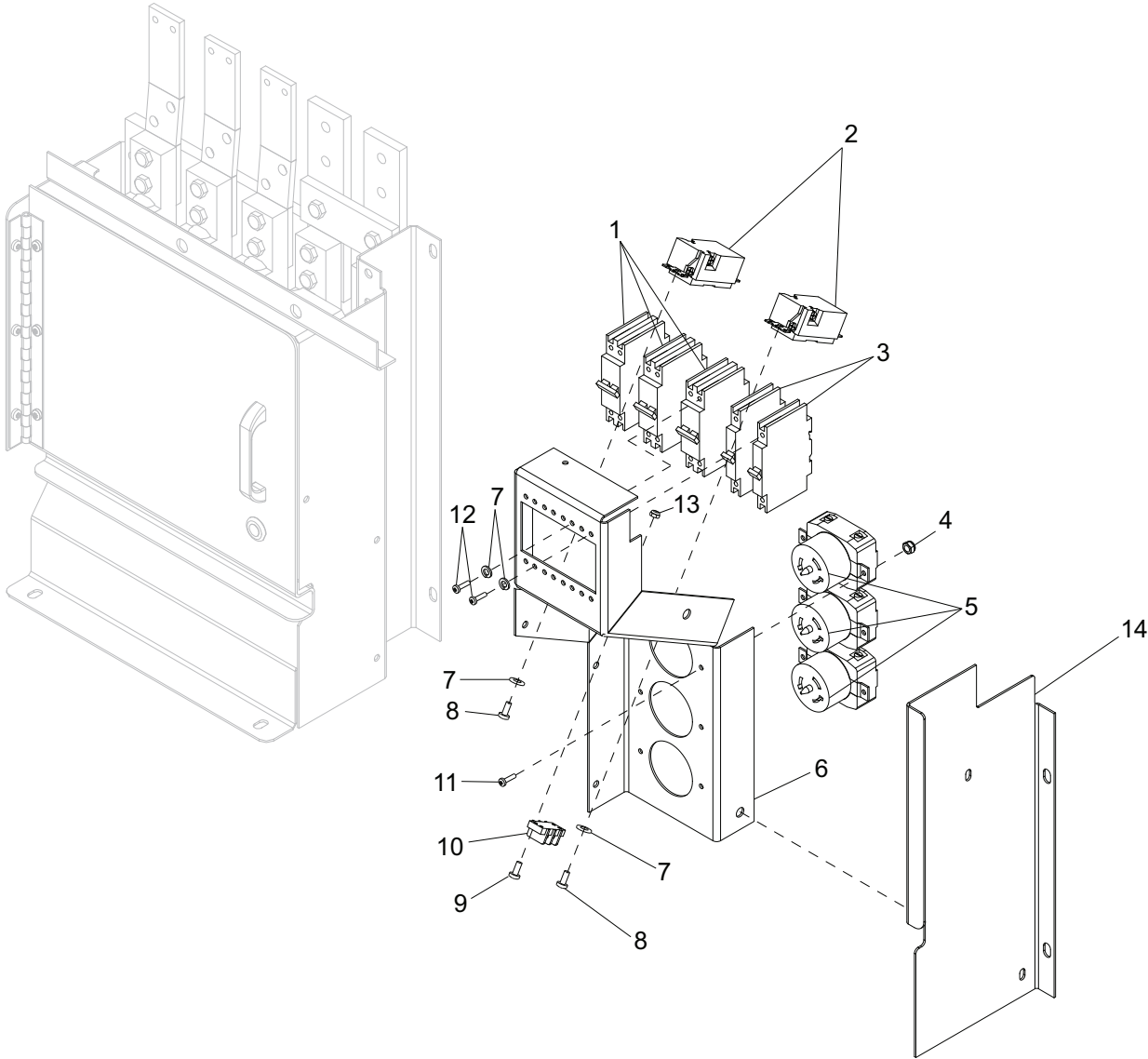
ITEM	PART NO.	QTY	DESCRIPTION	NOTES
1	14130	2	Receptacle, 120V/20A GFI	
2	60457	6	Nut, 10-24 nylock, G2	
3	18089	3	Receptacle, 50A/120/240V twist-lock	
4	18091	2	Breaker, 20A, 240V, 1-pole	
5	18092	3	Breaker, 50A, 240V, 2-pole	
6	60068	6	Screw, 10-24 x .500 pan phil, G2	
7	60046	16	Screw, 6-32 x .750 pan phil, G2	
8	60270	2	Nut, 8-32 nylock, class 6	
9	60405	4	Screw, 6-32 x .250 pan phil, G2	
10	60526	2	Screw, 8-32 x .500 pan phil, G2	
11	18890	1	Block, terminal - 2 pos	
12	26355W	1	Panel, outlets	
13	60058	16	Washer, #6 split lock	

OPTIONAL FEATURES

Edison plug:

A	65285	2	Receptacle, 120V/15A inlet
B	60480	4	Screw, 10-16 x .750 pan phil, G2

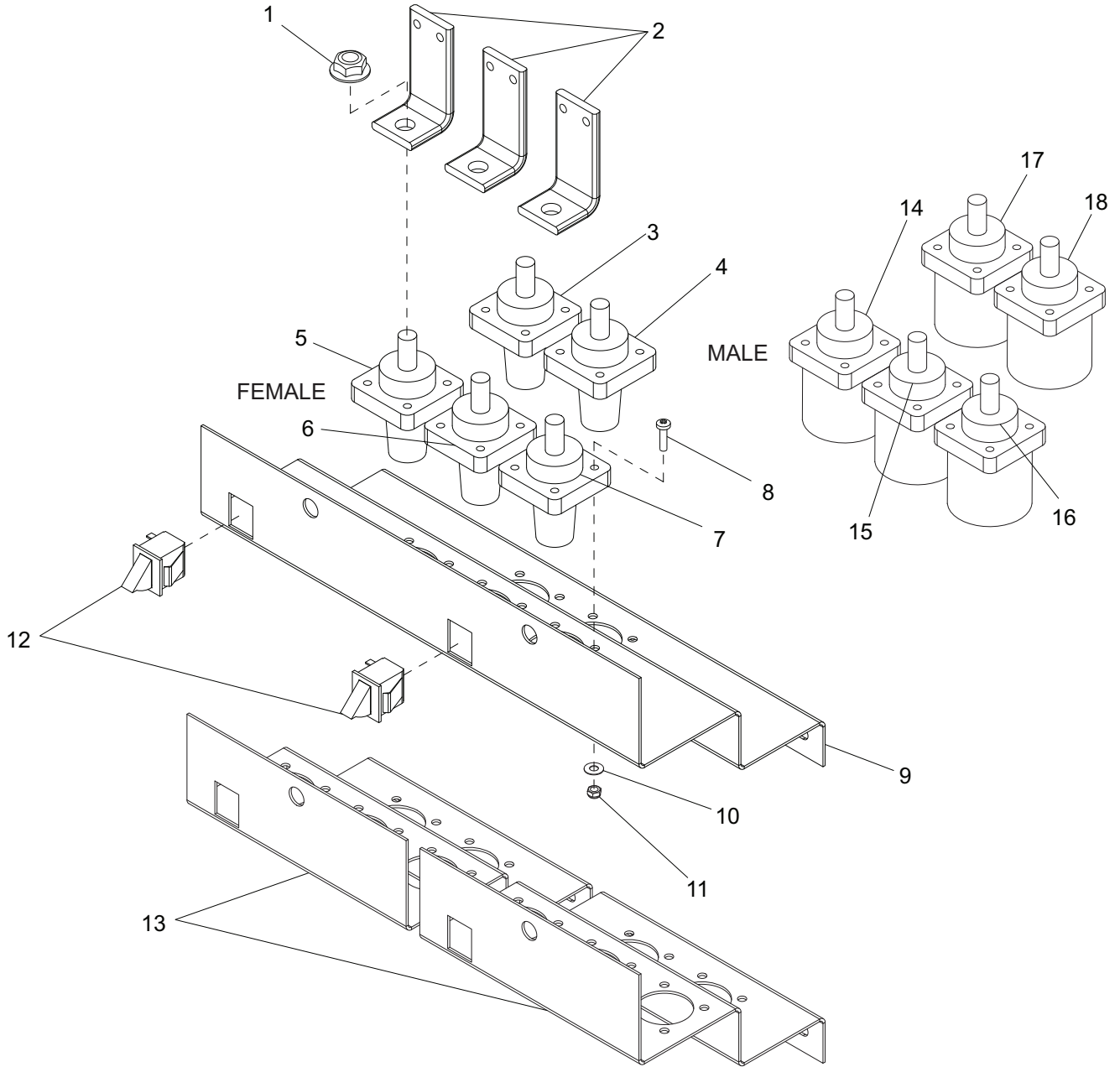
OUTLET PANEL ASSEMBLY FOR CAM LOCK OPTIONS



OUTLET PANEL ASSEMBLY FOR CAM LOCK OPTIONS

ITEM	PART NO.	QTY	DESCRIPTION	NOTES
1	18092	3	Breaker, 50A, 240V, 2-pole	
2	14130	2	Receptacle, 120V/20A GFI	
3	18091	2	Breaker, 20A, 240V, 1-pole	
4	60457	6	Nut, 10-24 nylock, G2	
5	18089	3	Receptacle, 50A/120/240V twist-lock	
6	28571W	1	Panel, outlets	
7	60058	20	Washer, #6 split lock	
8	60405	4	Screw, 6-32 x .250 pan phil, G2	
9	60526	2	Screw, 8-32 x .500 pan phil, G2	
10	18890	1	Block, terminal - 2 pos	
11	60068	6	Screw, 10-24 x .500 pan phil, G2	
12	60046	16	Screw, 6-32 x .750 pan phil, G2	
13	60270	2	Nut, 8-32 nylock, class 6	
14	26161W	1	Panel, cam lock box	

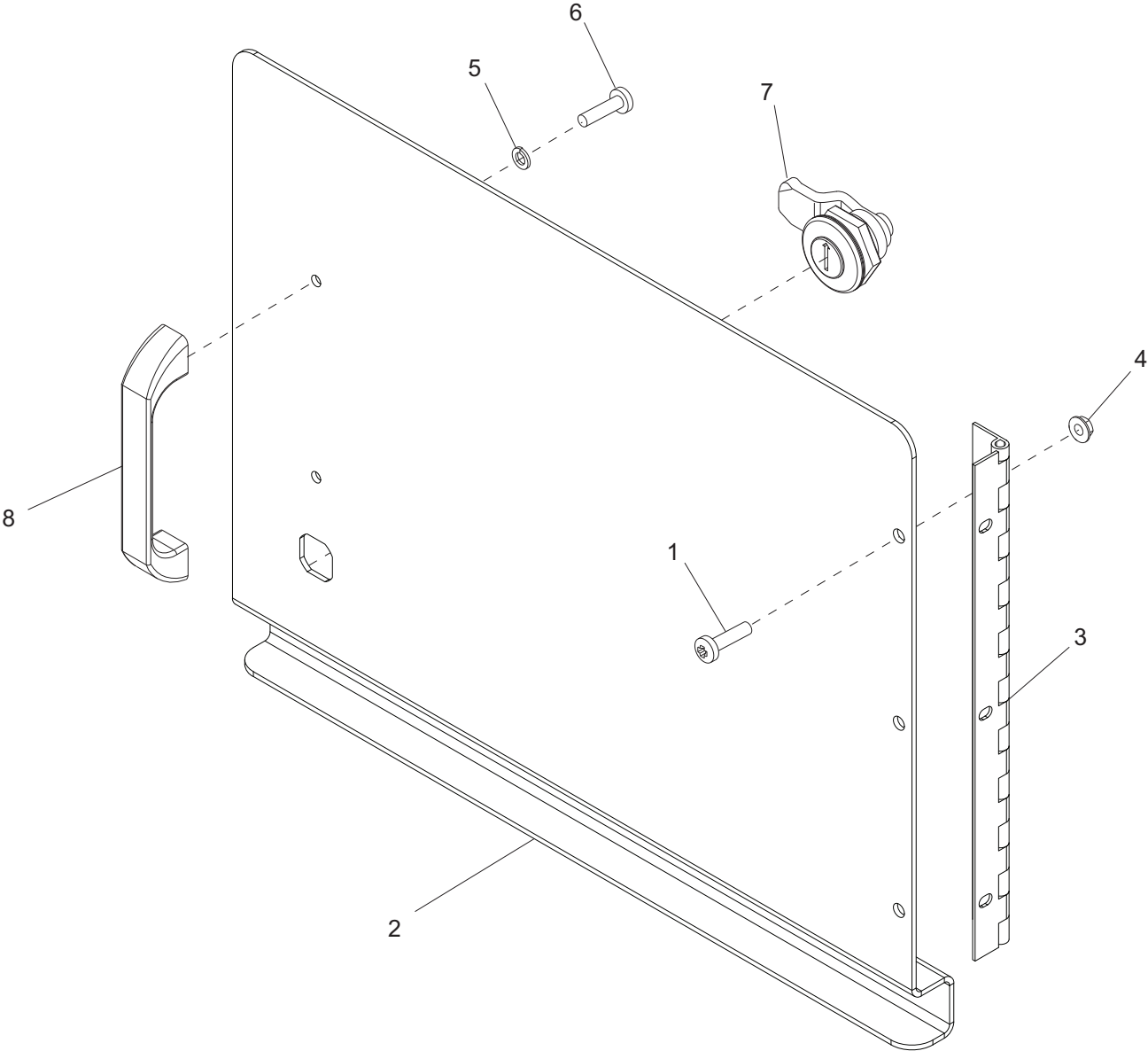
CAM LOCK PANEL ASSEMBLY OPTIONS



CAM LOCK PANEL ASSEMBLY OPTIONS

ITEM	PART NO.	QTY	DESCRIPTION	NOTES
1	60098	3	Nut, .500-13 sflg, G5	
2	28565	3	Bus, cam lock mount	
3	66040	1	Connector, cam lock fml - white	
4	66041	1	Connector, cam lock fml - green	
5	65551	1	Connector, cam lock fml - black	
6	65552	1	Connector, cam lock fml - red	
7	65553	1	Connector, cam lock fml - blue	
8	60488	20	Screw, 8-32 x .750 pan phil, G2	
9	28591W	1	Panel, cam lock mounting	Single cam
10	60237	20	Washer, #10 flat	
11	60061	20	Nut, 10-32 nylock G5	
12	12632	2	Switch, trigger safety NO & NC	
13	28574W	2	Panel, cam lock mounting	Dual cam
14	66037	1	Conn. cam lock ml - black	
15	66038	1	Conn. cam lock ml - red	
16	66039	1	Conn. cam lock ml - blue	
17	65554	1	Conn. cam lock ml - white	
18	65555	1	Conn. cam lock ml - green	

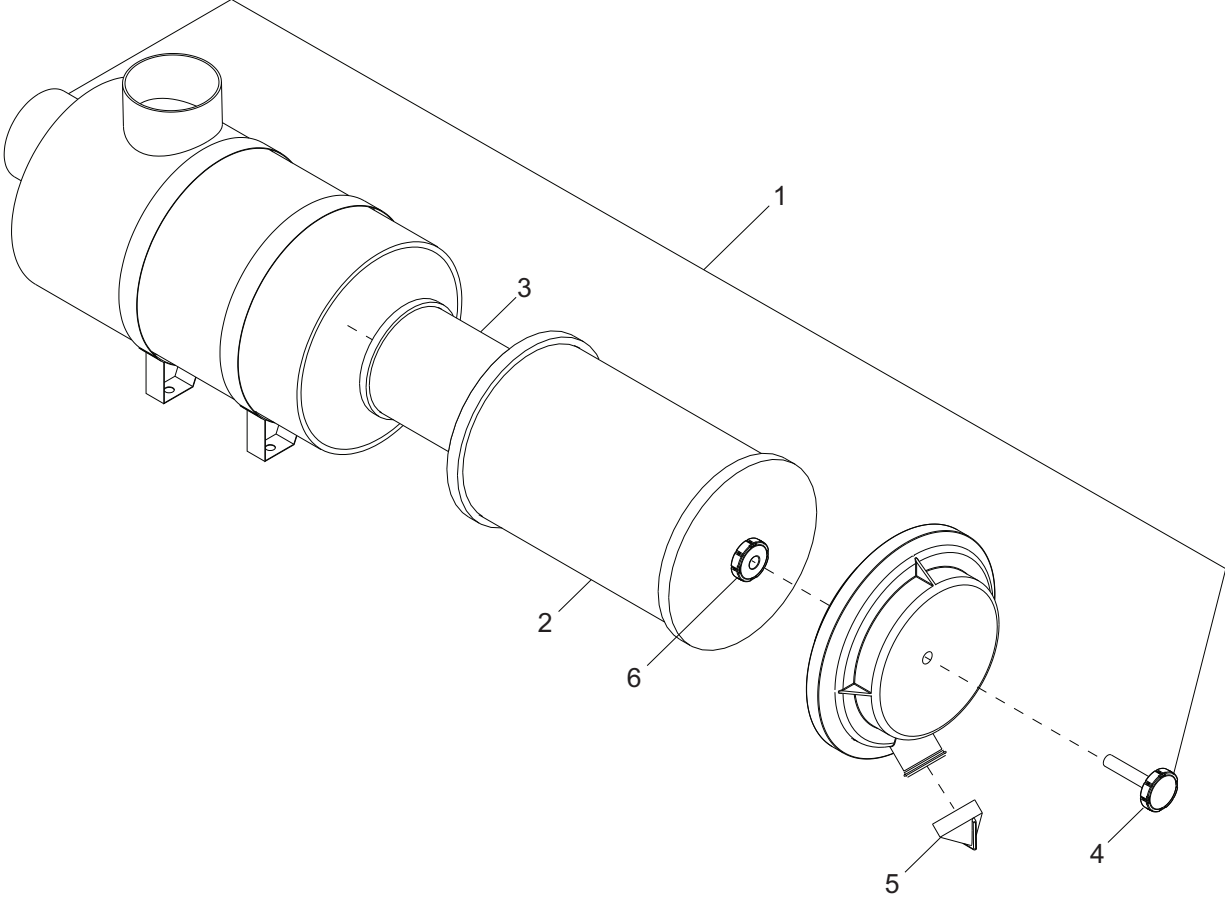
CAM LOCK DOOR ASSEMBLY (OPTIONAL)



CAM LOCK DOOR ASSEMBLY (OPTIONAL)

ITEM	PART NO.	QTY	DESCRIPTION	NOTES
1	60398	3	Screw, 10-32 x .500 pan phil, SS	
2	28575W	1	Panel, cam lock door	
3	22018	1	Hinge, continuous - 10.25 in	
4	61045	3	Nut, 10-32 sflg, G5	
5	60252	2	Washer, #10 split lock	
6	60068	2	Screw, 10-24 x .500 pan phil, G2	
7	12547	1	Assembly, cam lock, qtr turn	
8	18893	1	Handle, lug door	

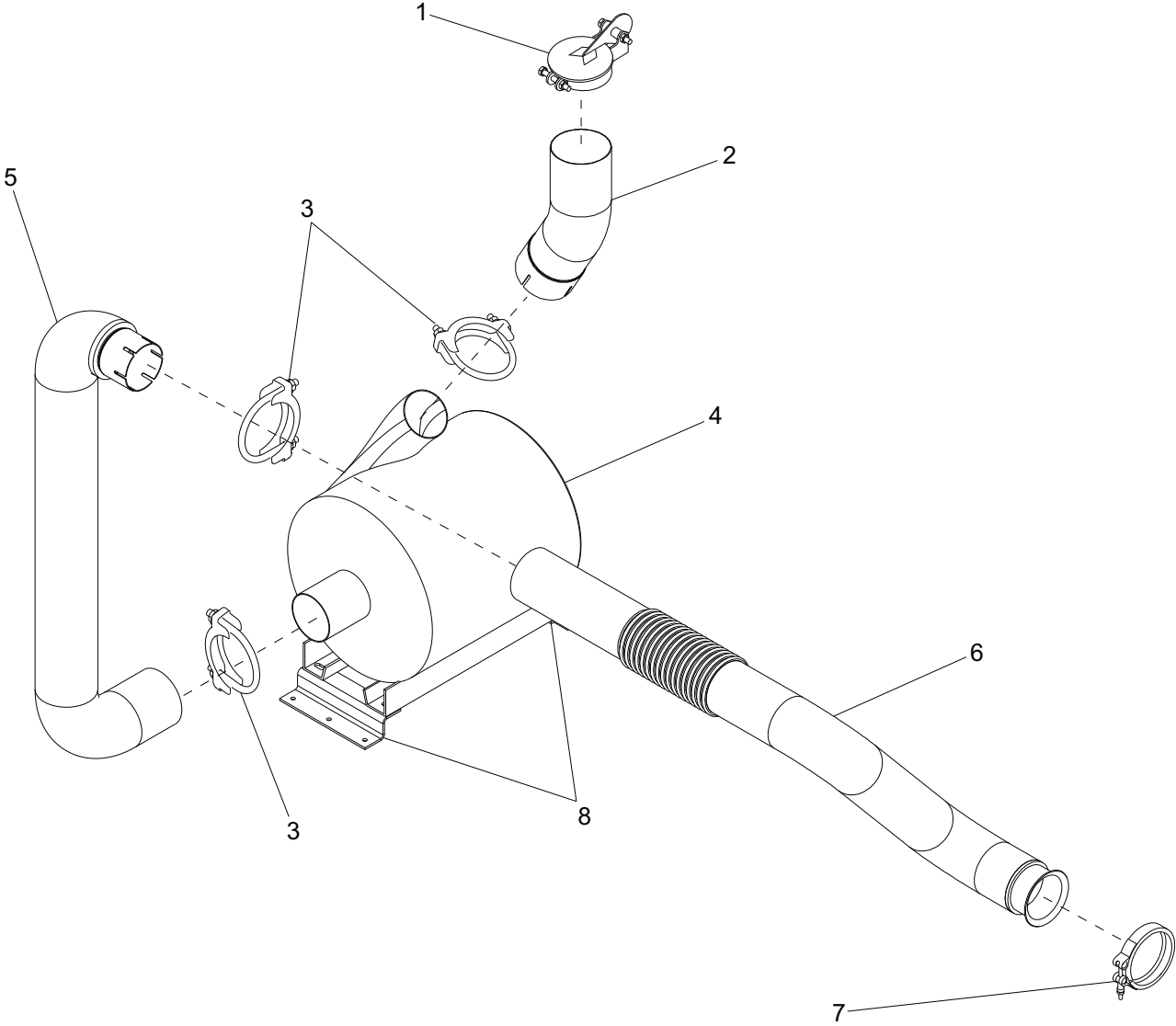
AIR FILTER ASSEMBLY



AIR FILTER ASSEMBLY

ITEM	PART NO.	QTY	DESCRIPTION	NOTES
1	22118	1	Assembly, air filter	
2	22328	1	Element, air filter	
3	27274	1	Element, air filter - safety	
4	26650	1	Knob, air filter housing, end	
5	22330	1	Cap, dust ejector	
6	22329	1	Knob, air filter housing	

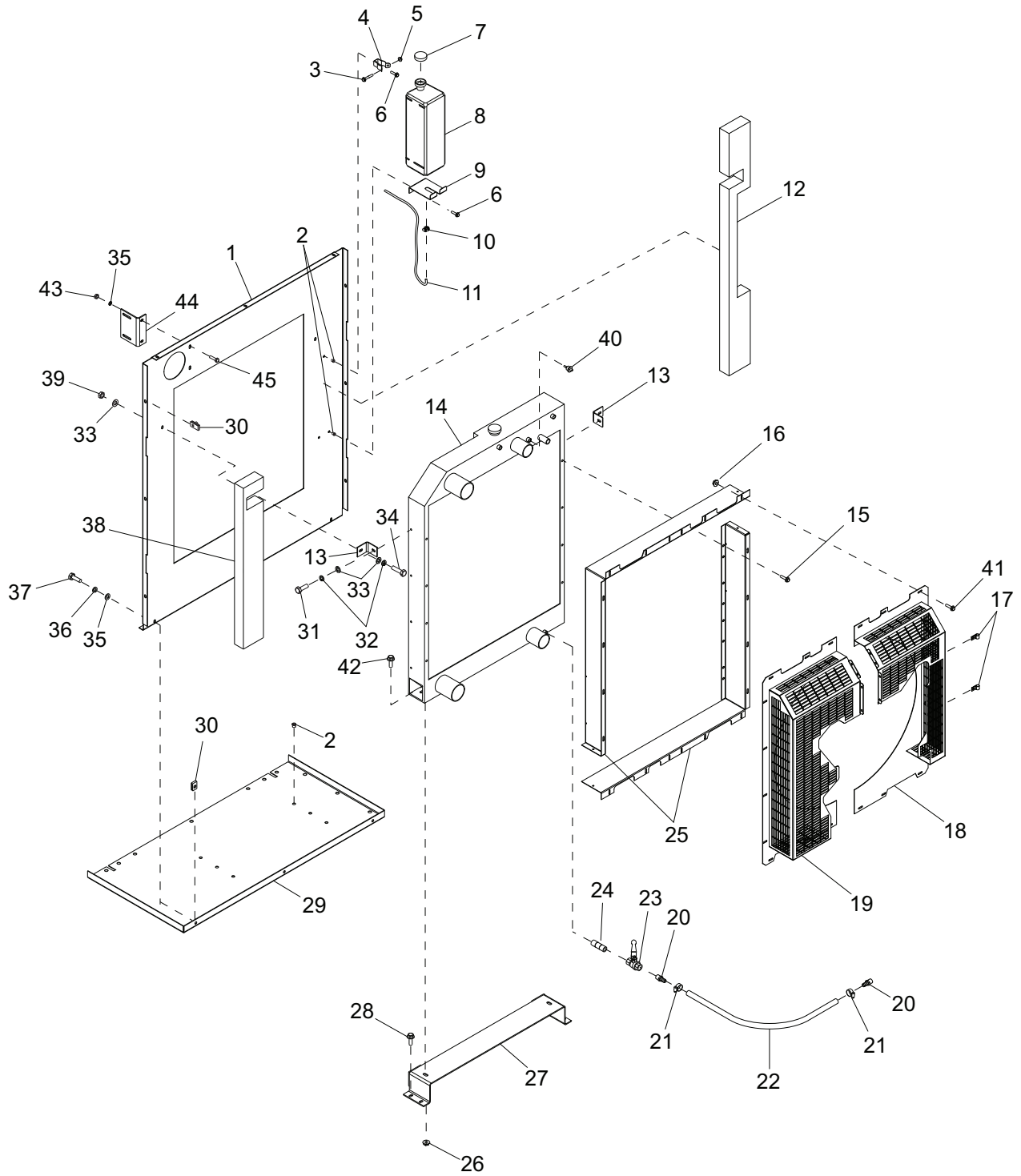
EXHAUST SYSTEM ASSEMBLY



EXHAUST SYSTEM ASSEMBLY

ITEM	PART NO.	QTY	DESCRIPTION	NOTES
1	21090	1	Cap, rain 4.0 in	
2	21851	1	Pipe, exhaust up - 4.0 in	
3	18822	3	Clamp, muffler 4.0 in	
4	21848	1	Muffler, 4.0 in	
5	22154	1	Pipe, exhaust - down	
6	26381	1	Pipe, exhaust	
7	18820	1	Clamp, V-band - 4.0 in	
8	21869B	2	Bracket, muffler mounting	
-	26481	6 ft	Sleeve, high temp - 5.0 in	

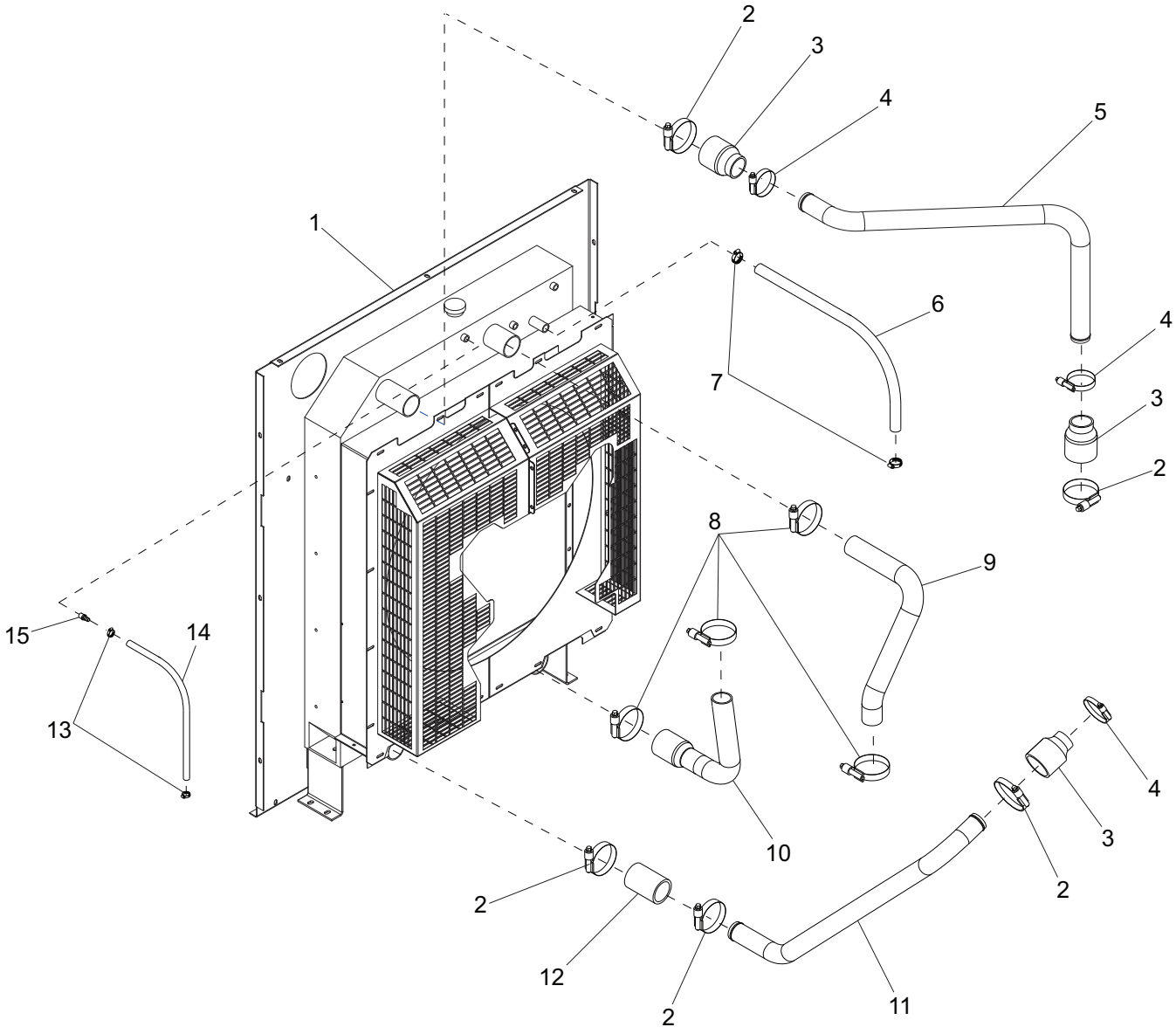
COOLING SYSTEM ASSEMBLY



COOLING SYSTEM ASSEMBLY

ITEM	PART NO.	QTY	DESCRIPTION	NOTES
1	26192B	1	Panel, bulkhead	
2	60023	9	Insert, M6 threaded	
3	60725	1	Screw, 8-32 x 2.50 pan slot, G2	
4	19726	1	Clamp, overflow bottle	
5	60270	1	Nut, 8-32 nylock, class 6	
6	60087	2	Screw, M6-1.00 x 16 sflg, G8.8	
7	19714	1	Cap, overflow bottle	
8	20212	1	Jug, overflow (6 qt)	
9	20213B	1	Support, overflow jug	
10	14216	1	Clamp, hose - SAE 004 (.21-.62) mini	
11	19220	1	Hose, overflow	
--	20454	1	Assembly, overflow jug	Items 2-11
12	23404	1	Panel, foam - right radiator	
13	21920B	2	Bracket, upper radiator	
14	26503	1	Radiator	
15	60451	8	Screw, .375-16 x .625 flg hex	
16	60161	22	Nut, .250-20 sflg G5	
17	60649	2	Clamp, tubing - .750 hvy duty	
18	26839B	1	Weldment, fan guard - right	
19	26838B	1	Weldment, fan guard - left	
20	60502	2	Fitting, strt-.500MNPT x .625 barb, brs	
21	60365	2	Clamp, hose - SAE 010 (56-1.06)	
22	50201	1.50 ft	Hose, .625 horizon, 200 psi, class A	
23	19279	1	Valve, ball 90 - .500NPT	
24	60438	1	Fitting, nipple, pipe - .500NPT x close	
25	24949B	2	Radiator shroud Tier III	
26	60145	2	Nut, .375-16 sflg, G5	
27	22236B	1	Weldment, radiator support	
28	60018	4	Screw, M10-1.25 x 20 sflg, G10.9	
29	22051B	1	Panel, muffler mount	
30	60505	12	Nut, .312-18 U-clip - long type	
31	60168	2	Screw, .312-18 x .750 std hex, G5	
32	60271	4	Washer, split lock .312	
33	60119	6	Washer, flat .312	
34	61061	2	Screw, .312-18 x .875 std hex	
35	60340	5	Washer, flat .312	
36	60701	3	Washer, split lock .312	
37	60507	3	Screw, .312-18 x 1.0 std hex, SS	
38	23403	1	Panel, foam - left radiator	
39	60285	2	Nut, .312-18 hex, grade 2	
40	65592	1	Sensor, low coolant	
41	60175	22	Screw, .250-20 x .500 sflg, G5	
42	60517	2	Screw, .375-16 x 1.0 sflg	
43	60412	2	Nut, .312-18 L hex	
44	26668B	1	Bracket, muffler pipe support	
45	60851	2	Screw, .312-18 x 1.25 flat hex	

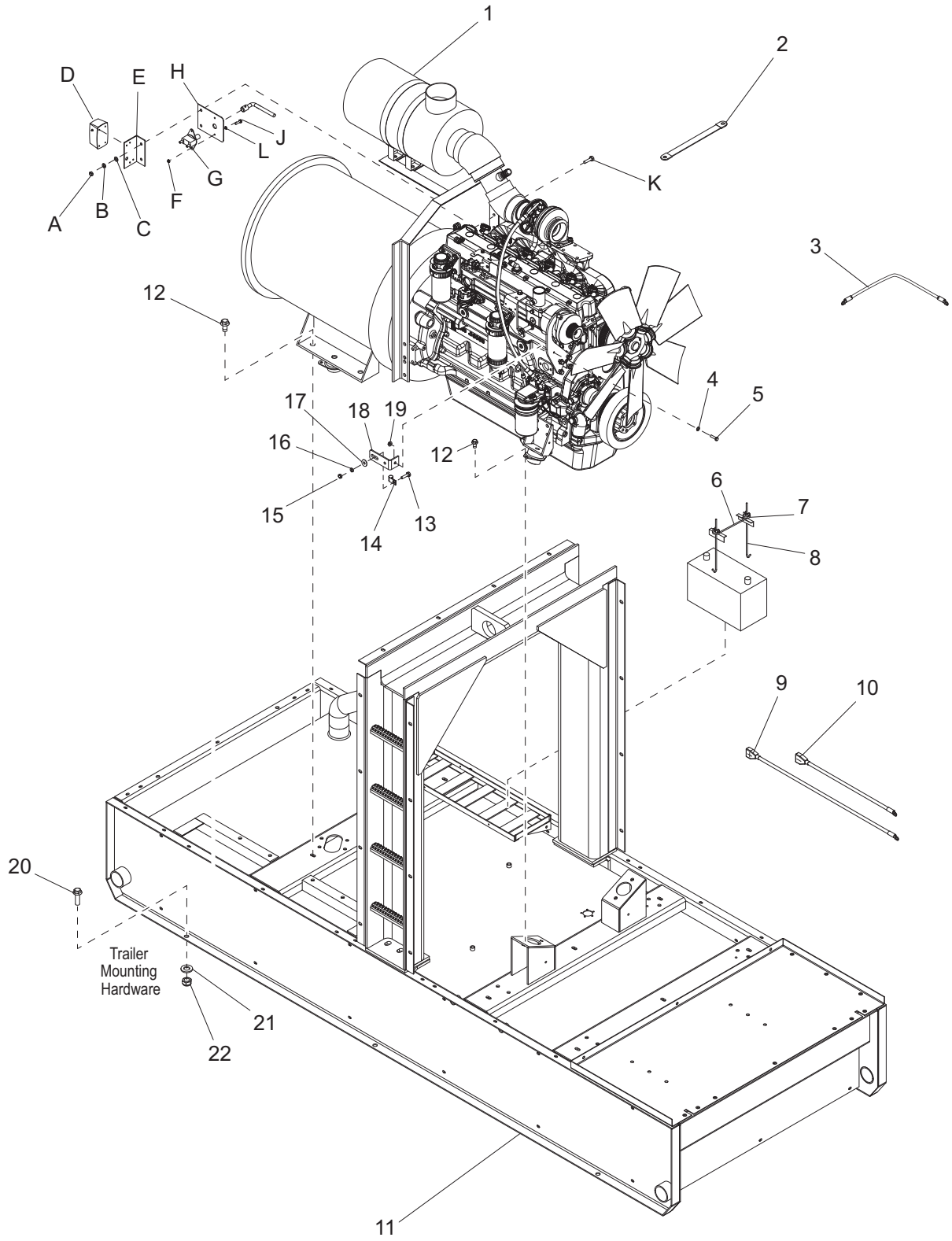
COOLING SYSTEM HOSES



COOLING SYSTEM HOSES

ITEM	PART NO.	QTY	DESCRIPTION	NOTES
1	<i>Page 68</i>	1	Assembly, cooling system	
2	60666	5	Clamp, hose - const. torq. - 2.25-3.125	
3	22060	3	Hose, CAC - 2-2.5 in. x 4.0 in	
4	60316	3	Clamp, hose - SAE 032 (1.56-2.50)	
5	26450	1	Pipe, CAC inlet	
6	50169	3.00 ft	Hose, 1.0 in. Goodyear	
7	19338	2	Clamp, hose - .68-1.50	
8	60316	4	Clamp, hose - 1.56-2.50	
9	26449	1	Hose, radiator - upper	
10	23507	1	Hose, radiator - lower	
11	22456	1	Pipe, CAC out	
12	28541	1	Hose, CAC - 2.5 in. x 4.0 in	
13	19453	2	Clamp, hose - .37-.87	
14	50017	2.50 ft	Hose, fuel - .250 ID 50 psi	
15	60999	1	Fitting, strt - .500MNPT x .310 barb, brs	

ENGINE AND GENERATOR TO SKID ASSEMBLY



01733

ENGINE AND GENERATOR TO SKID ASSEMBLY

ITEM	PART NO.	QTY	DESCRIPTION	NOTES
1	Page 74	1	Assembly, engine	
2	19042	1	Strap, ground - 10.0 in	
3	20268	1	Cable - assembly, grnd	
4	60698	1	Washer, .375 flat	
5	60831	1	Screw, .375-16 x 1.50 std hex, SS	
6	14682	1	Bracket, battery hold-down	
7	60089	2	Washer, .265 fender 1.25/.060	
8	14146	2	Bolt, J - .250-20 x 10.0 in w/wing nut	
9	18693	1	Cable, battery - 38 2/0 red	
10	10425	1	Cable, battery - 16.0 in. 1/0 blk	
11	Page 92	1	Assembly, skid	
12	60018	8	Screw, M10-1.25 x 20 sflg, G10.9	
13	60507	1	Screw, .312-18 x 1.0 std hex, SS	
14	60716	1	Clamp, tubing - 1.50 lt duty	
15	60285	1	Nut, .312-18 hex, grade 2	
16	60271	1	Washer, .312 split lock	
17	60119	2	Washer, .312 flat	
18	11131B	1	Bracket, auxiliary line	
19	60145	1	Nut, .375-16 sflg, G5	
20	61078	6	Screw, .625-11 x 2.0 flg hex, G8	
21	60193	6	Washer, M16 flat	
22	60240	6	Nut, .625-11 nylock, G5	

OPTIONAL FEATURES

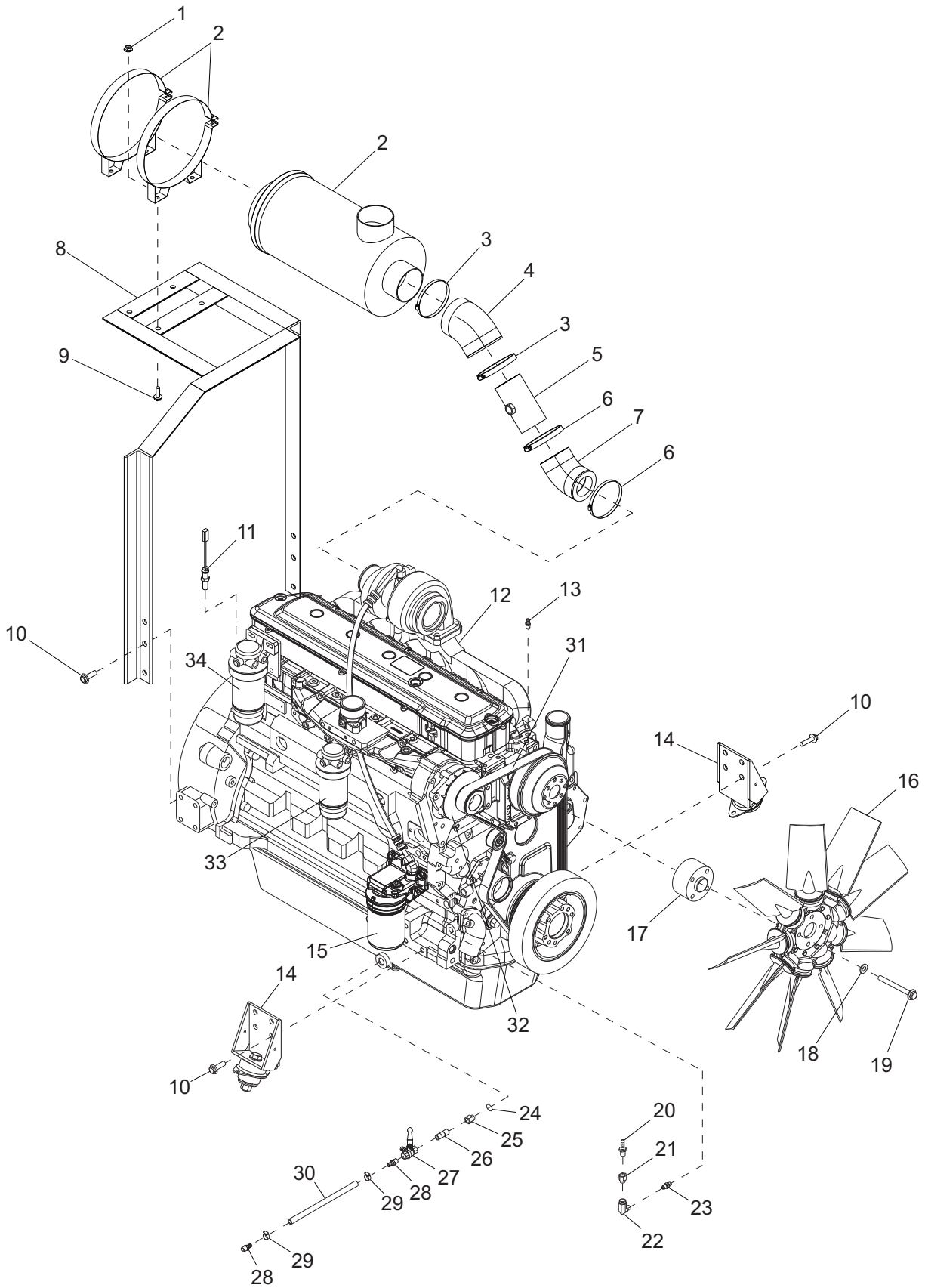
Interior Lighting:

A	60285	2	Nut, .312-18 hex, grade 2
B	60271	2	Washer, .312 split lock
C	60119	4	Washer, .312 flat
D	11947	1	Light, interior with switch
E	23528B	1	Bracket, interior light

Battery Disconnect:

F	60161	2	Nut, .250-20 sflg, G5
G	21489	1	Battery disconnect switch
H	21494B	1	Bracket, battery disconnect
J	60393	2	Screw, .250-20 x 1.0 std hex, G5
K	60256	2	Screw, .312-18 x 1.50 std hex G5
L	60696	2	Washer, .250 flat, SS

ENGINE ASSEMBLY



ENGINE ASSEMBLY

ITEM	PART NO.	QTY	DESCRIPTION	NOTES
1	60145	4	Nut, .375-16 sflg, G5	
2	Page 64	1	Assembly, air filter	
3	20182	2	Clamp, hose - SAE 088 (4.09-6.00)	
4	22225	1	Elbow, 45° molded rubber - 5.0-4.0 in. ID	
5	26554B	1	Weldment, air filter tube	
6	18663	2	Clamp, hose - SAE 060 (3.31-4.25)	
7	22286	1	Elbow, 45° molded rubber - 4.0 in. ID	
8	22226B	1	Weldment, air cleaner brkt	
9	60517	4	Screw, .375-16 x 1.0 sflg	
10	60072	6	Screw, M12-1.75 x 25 sflg, G10.9	
11	18105	1	Sensor, magnetic pickup	
12	26842	1	Engine, Deere 6068HF485	
13	61111	1	Fitting, M12 x 1.5 x .250 barb	
14	Page 78	2	Assembly, engine mount	
15	22378	1	Filter, oil	
16	26836	1	Fan, engine - 31.0 in	MMG235 only
17	19524	1	Spacer, fan-4 hole - 1.93 LG	MMG235 only
18	60027	4	Washer, M10 flat	MMG235 only
19	60153	4	Screw, M10-1.50 x 80 std hex, G10.9	MMG235 only
20	25496	1	Fitting, strt-.750MNPT x 1.0 barb	
21	22461	1	Fitting, strt-.750MNPT x 1.0 barb	
22	22462	1	Fitting, 90° -.500FNPT x .500FNPT	
23	19257	1	Fitting, strt-.500MNPT x M18 O-ring seal	
24	19467	1	Seal, M22	
25	19307	1	Fitting, strt-.500FNPT x M22 x 1.50	
26	60438	1	Fitting, nipple, pipe - .500NPT x close	
27	61165	1	Valve, ball .500FNPT x .500 hose barb	
28	60502	2	Fitting, strt-.500MNPT x .625 barb, brs	
29	60365	2	Clamp, hose - SAE 010 (.56-1.06)	
30	50201	1.54 ft	Hose, .625 horizon, 200 psi, class A	
31	26596	1	Belt, engine	
32	23346	1	Alternator	
33	26597	1	Filter, fuel - primary	
34	26236	1	Filter, fuel - secondary	

OPTIONAL FEATURES FOR MMG235

Clutched Fan:

-- [Page 80](#) 1 Assembly, clutched fan

Hotstart:

-- [Page 82](#) 1 Assembly, hotstart

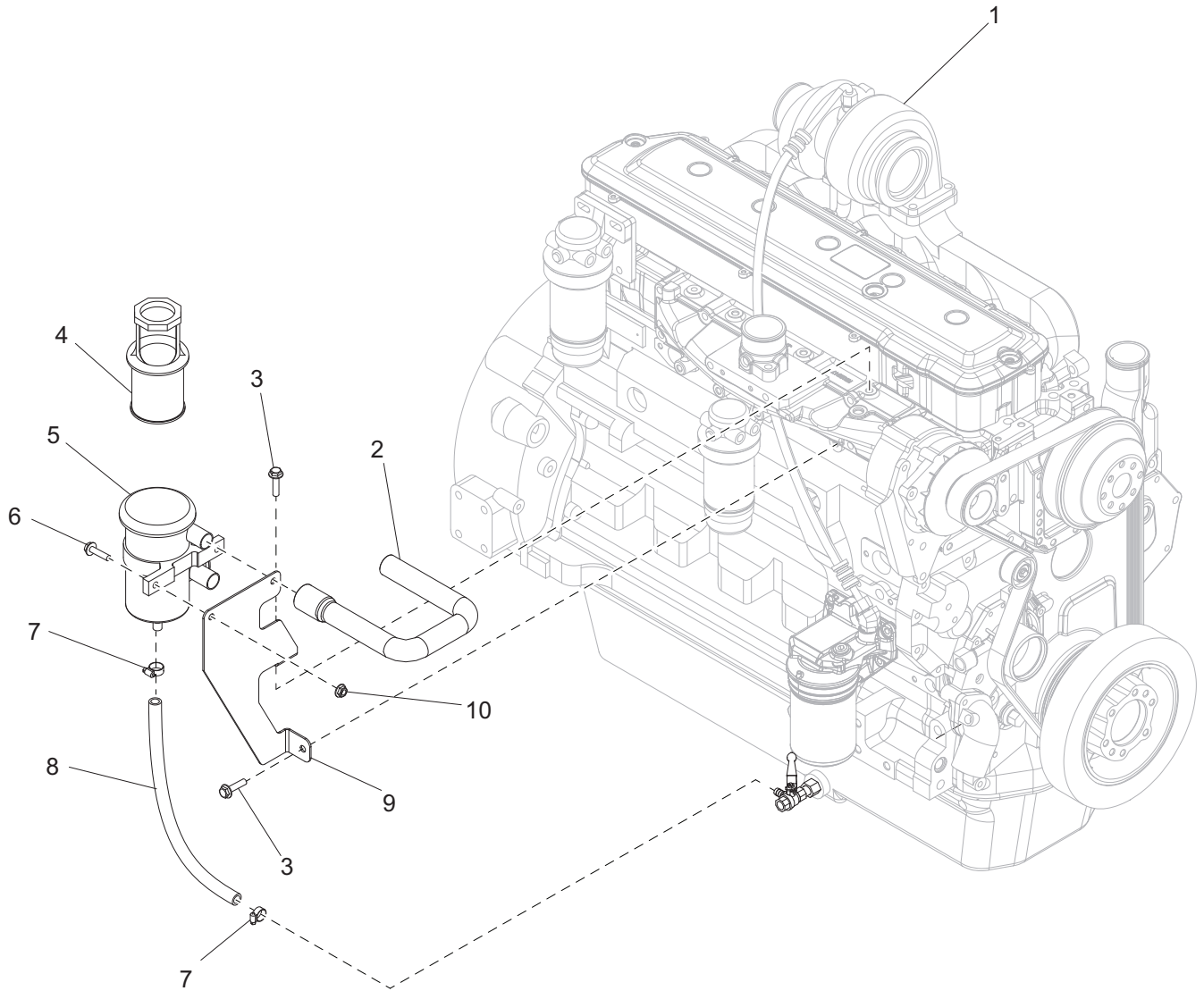
Heated Fuel Filter:

-- 27009 1 Heater, fuel filter

-- 27011 1 Harness, filter heater

Note: Engine and generator parts used in all Generac Mobile Products equipment carry the Original Equipment Manufacturer (OEM) warranty unless otherwise stated. OEM warranty parts must be purchased through an OEM dealer. Please contact Generac Mobile Products with questions.

OIL RECIRCULATION SYSTEM ASSEMBLY



01725

OIL RECIRCULATION SYSTEM ASSEMBLY

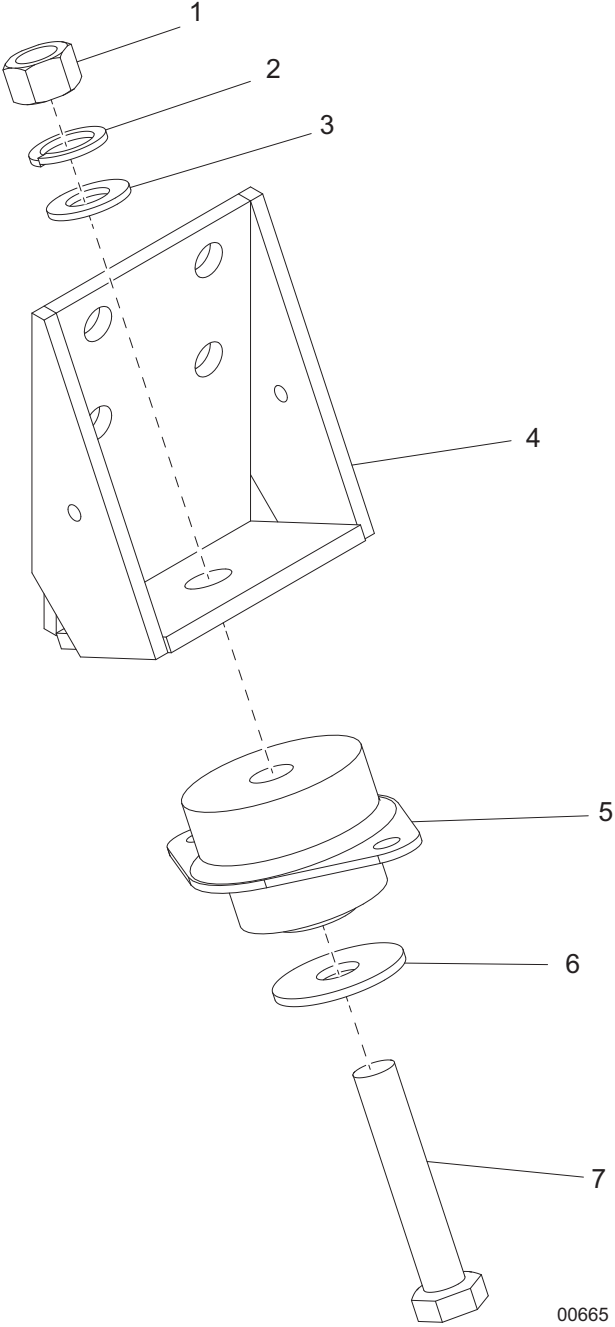
ITEM	PART NO.	QTY	DESCRIPTION	NOTES
1	Page 74	1	Assembly, engine - Tier III	
2	24170	1	Hose, OCV vent	
3	60018	2	Screw, M10-1.25 x 20 sflg, G10.9	
4	24552	1	Filter, oil recirculation	
5	24318	1	Kit, oil recirculation	
6	60516	2	Screw, .312-18 x 1.25 sflg	
7	60365	2	Clamp, hose - .SAE 010 (56-1.06)	
8	50051	1.66 ft	Hose, fuel - .375 ID 50 psi SAE 30R7	
9	26551B	1	Bracket, OCV system	
10	60095	2	Nut, .312-18 sflg	

OPTIONAL FEATURES

Oil Vapor Recovery Heater:

--	27272	1	Heater, oil vapor recovery
--	27009	1	Heater, Fuel Filter
--	66658	3 ft	Loom, wire - 1.06 ID

ENGINE MOUNT ASSEMBLY

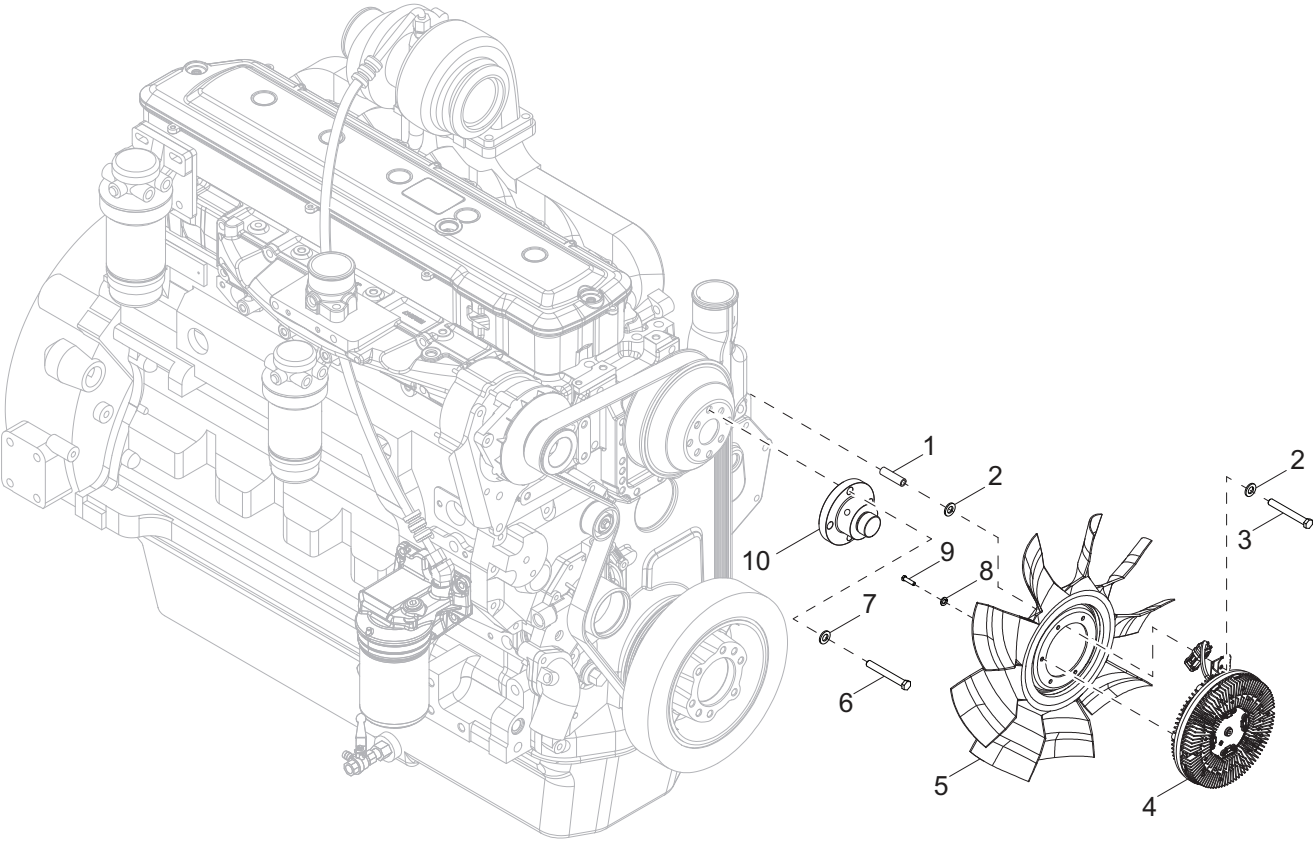


00665

ENGINE MOUNT ASSEMBLY

ITEM	PART NO.	QTY	DESCRIPTION	NOTES
1	60520	2	Nut, .625-11 hex, G8	
2	60194	2	Washer, M16 split lock	
3	60521	2	Washer, .625 flat 1.743/.108	
4	19712B	2	Weldment, engine mount	
5	18084	2	Isolator, rubber - 840/560 lbs	
6	18086	2	Washer, .650 snubber 2.250/.180	
7	60519	2	Screw, .625-11 x 3.50 std hex, G8	
--	18410	2	Assembly, engine mount	Items 1-7

**CLUTCHED FAN ASSEMBLY - MMG235CAN, MMG235CAN6
OPTIONAL FOR MMG235**

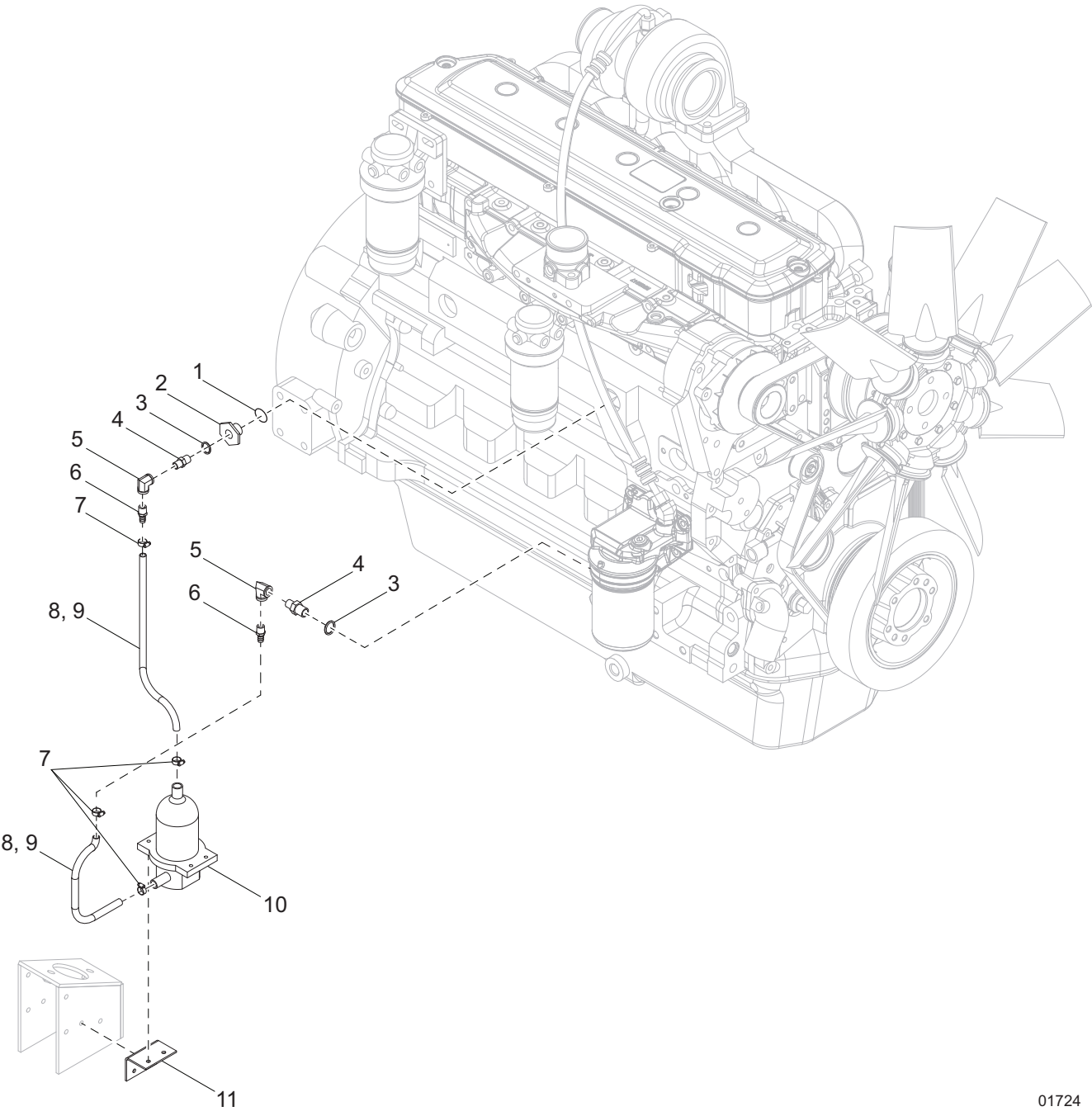


01696

**CLUTCHED FAN ASSEMBLY - MMG235CAN, MMG235CAN6
OPTIONAL FOR MMG235**

ITEM	PART NO.	QTY	DESCRIPTION	NOTES
1	30558B	1	Spacer, .750 OD .51 ID 2.00 long	
2	60027	2	Washer, M10 flat	
3	63152	1	Screw, M10-1.50 x 60 std hex, G8.8	
4	30464	1	Clutch, for fan - 31.0 in	
5	30461	1	Fan, for clutch - 31.0 in	
6	60055	4	Screw, M10-1.50 x 35 std hex, G10.9	
7	60206	4	Washer, .375 split lock	
8	60341	6	Washer, M8 split lock, SS	
9	60339	6	Screw, M8-1.25 x 20 std hex, SS	
10	30261	1	Hub, fan clutch mount - .88 thick - 30 mm	
--	67863	1	Harness, clutch fan - control box	
--	66737	1	Harness, clutch fan - fan assembly	

**HOTSTART ASSEMBLY - MMG235CAN, MMG235CAN6
OPTIONAL FOR MMG235**

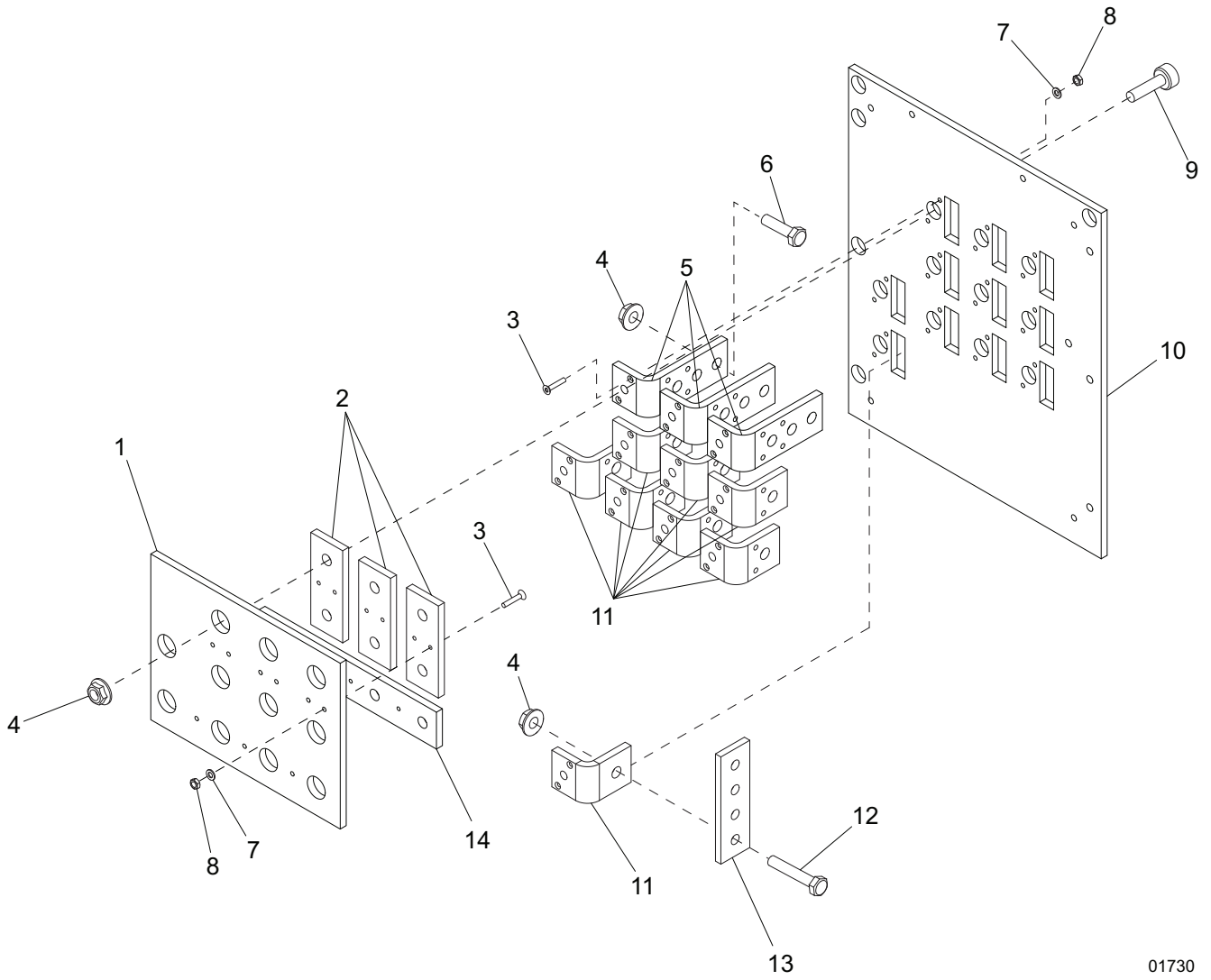


01724

**HOTSTART ASSEMBLY - MMG235CAN, MMG235CAN6
OPTIONAL FOR MMG235**

ITEM	PART NO.	QTY	DESCRIPTION	NOTES
1	22589	1	O-ring, 1.625 in	
2	22588	1	Fitting, strt - 1.625 O-rg sl x M18 O-rg sl	
3	19466	2	Seal, M18	
4	19257	2	Fitting, strt - .500MNPT x M18 O-ring seal	
5	22462	2	Fitting, 90° - .500FNPT x .500FNPT, brass	
6	60502	2	Fitting, strt - .500MNPT x .625 barb, brass	
7	60365	4	Clamp, hose - SAE 010 (.56-1.06)	
8	50201	4 ft	Hose, .625, 200 psi, class A	
9	66658	4 ft	Loom, wire - 1.06 ID	
10	25938	1	Heater, coolant - 120V, 1500W, 12.5A	
11	33952B	1	Bracket, hot start mount	

RECONNECT AND SHORTING BOARD ASSEMBLY

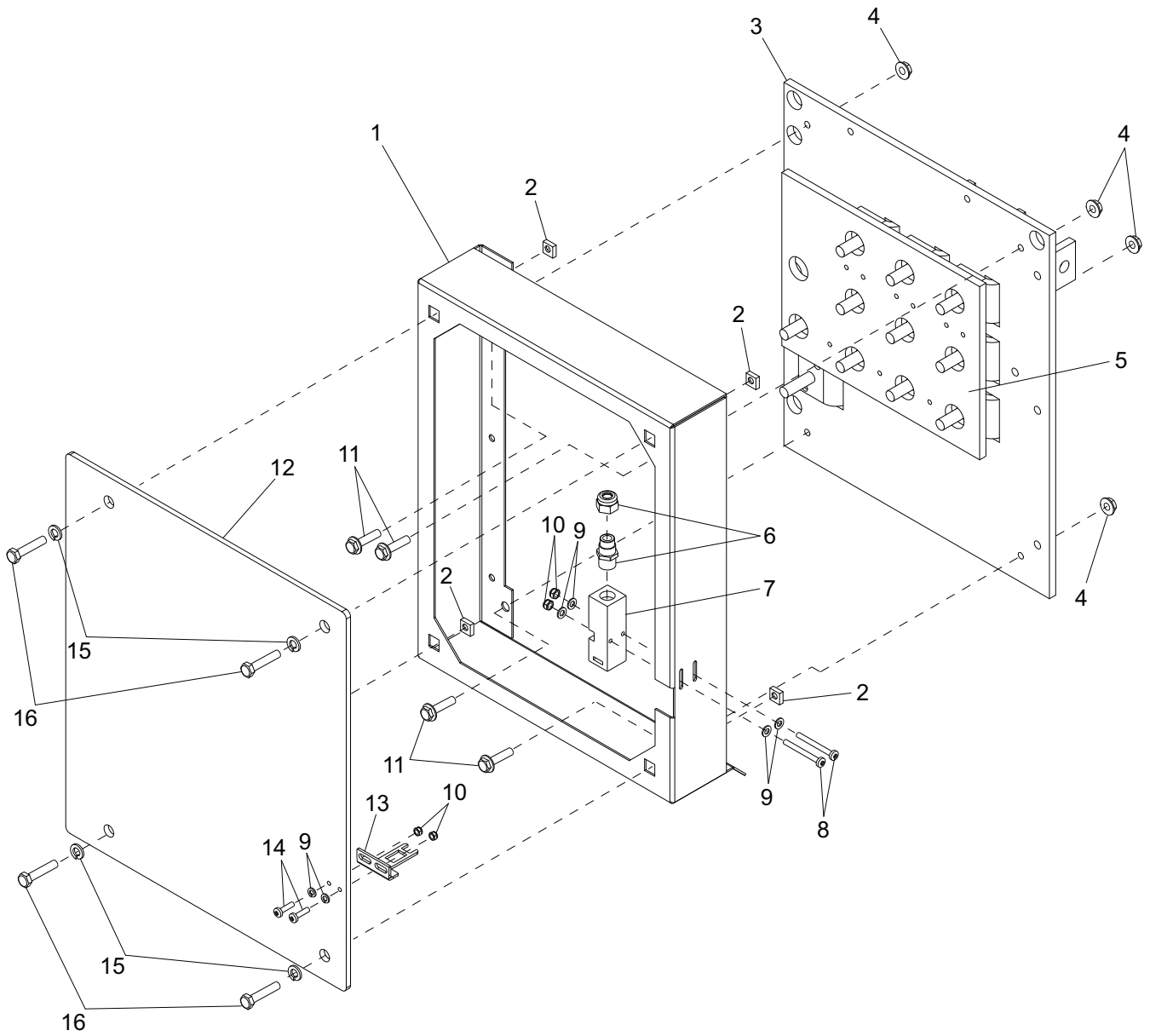


01730

RECONNECT AND SHORTING BOARD ASSEMBLY

ITEM	PART NO.	QTY	DESCRIPTION	NOTES
1	23605	1	Shorting board, .375 GPO-3	
2	21429	3	Bus, shorting board	
3	60771	22	Screw, 8-32 x 1.0 flat hex, G2	
4	60098	31	Nut, .500-13 sflg, G5	
5	21414	3	Bus, reconnect	
6	60388	16	Screw, .500-13 x 1.50 std hex, G5	
7	60269	31	Washer, #8 flat .433/.036	
8	60318	31	Nut, 8-32 hex G5	
9	60791	11	Screw, .500-13 x 1.50 soc hex, full thrd	
10	23598	1	Plate, reconnect board	
11	21407	8	Bus, reconnect board	
12	60488	9	Screw, 8-32 x .750 pan phil, G2	
13	23604	1	Bus, shorting board	
14	21466	1	Bus, neutral link	

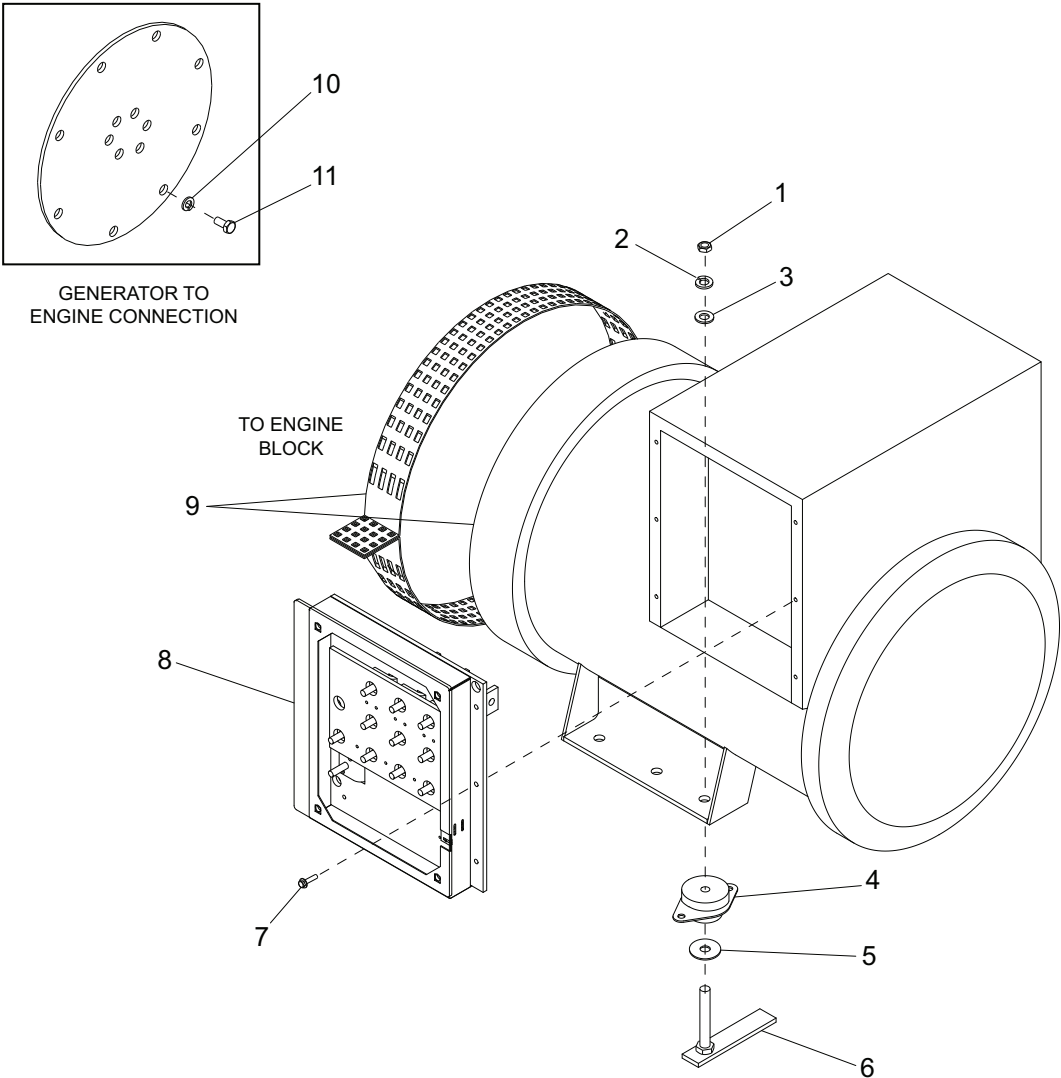
RECONNECT BOX ASSEMBLY



RECONNECT BOX ASSEMBLY

ITEM	PART NO.	QTY	DESCRIPTION	NOTES
1	18111	1	Switch, lockout	
2	15863	1	Strain relief, .500NPT .500ID	
3	60525	2	Screw, 8-32 x 1.50 pan phil, G2	
4	60269	6	Washer, #8 flat .433/.036	
5	60270	4	Nut, 8-32 nylock, class 6	
6	60275	4	Screw, .500-13 x 1.0 std hex, G5	
7	60276	4	Washer, .500 split lock	
8	60772	4	Nut, .500-13 cage, G5	
9	60479	4	Screw, .250-20 x 1.0 sflg hex, G5	
10	60161	4	Nut, .250-20 sflg, G5	
11	60526	2	Screw, 8-32 x .500 pan phil, G2	
12	18112	1	Key, lockout switch	
13	<i>Page 64</i>	1	Assembly, reconnect board	
14	<i>Page 64</i>	1	Assembly, shorting board	
15	23515W	1	Box, reconnect	
16	23516	1	Door, reconnect box	

RECONNECT BOX AND GENERATOR ASSEMBLY



RECONNECT BOX AND GENERATOR ASSEMBLY

ITEM	PART NO.	QTY	DESCRIPTION	NOTES
1	60520	2	Nut, .625-11 hex, G8	
2	60522	2	Washer, .625 split lock ZB	
3	60193	2	Washer, M16 flat	
4	18084	2	Shock mount, rubber	
5	19494	2	Washer, .875 snub 2.5/.188	
6	27168	2	Weldment, anti-turn bolt .625 x 4.0 in	
7	60087	4	Screw, M6-1.00 x 16 sflg, G8.8	
8	Page 86	1	Assembly, reconnect box	
9	22125	1	Generator, 431PSL6206	MMG235 & MMG235CAN only
--	34207	1	Generator, Marathon, 431PSL6505	MMG235CAN6 only
10	60151	8	Washer, .375 flat	
11	60179	8	Screw, .375-16 x .750 std hex, G8	

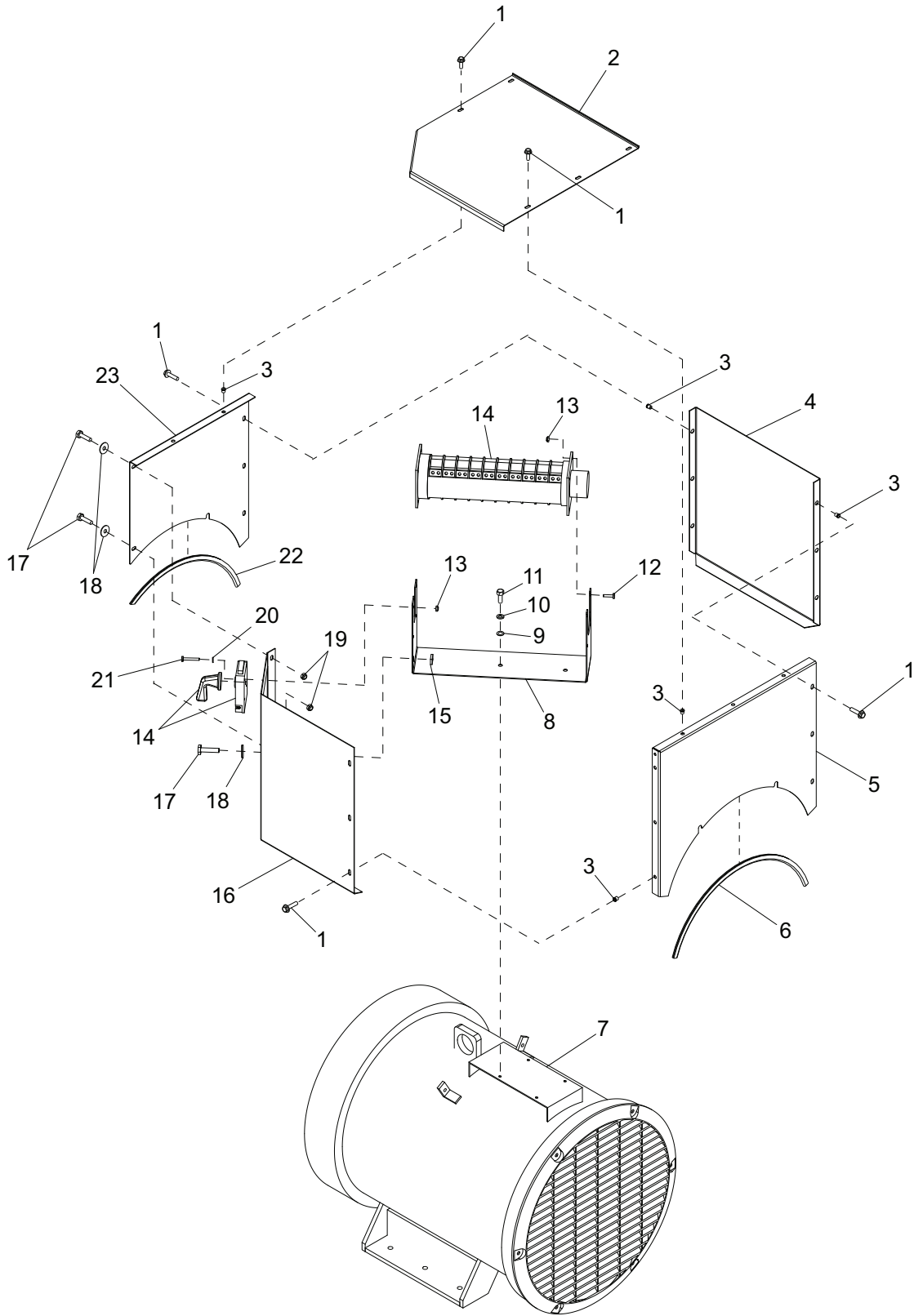
OPTIONAL FEATURES

Super Start:

--	23338	1	Generator, 433PSL6216	MMG235 & MMG235CANonly
----	-------	---	-----------------------	------------------------

Note: Engine and generator parts used in all Generac Mobile Products equipment carry the Original Equipment Manufacturer (OEM) warranty unless otherwise stated. OEM warranty parts must be purchased through an OEM dealer. Please contact Generac Mobile Products with questions.

GENERATOR BOX ASSEMBLY - 4 POSITION - MMG235 & MMG235CAN

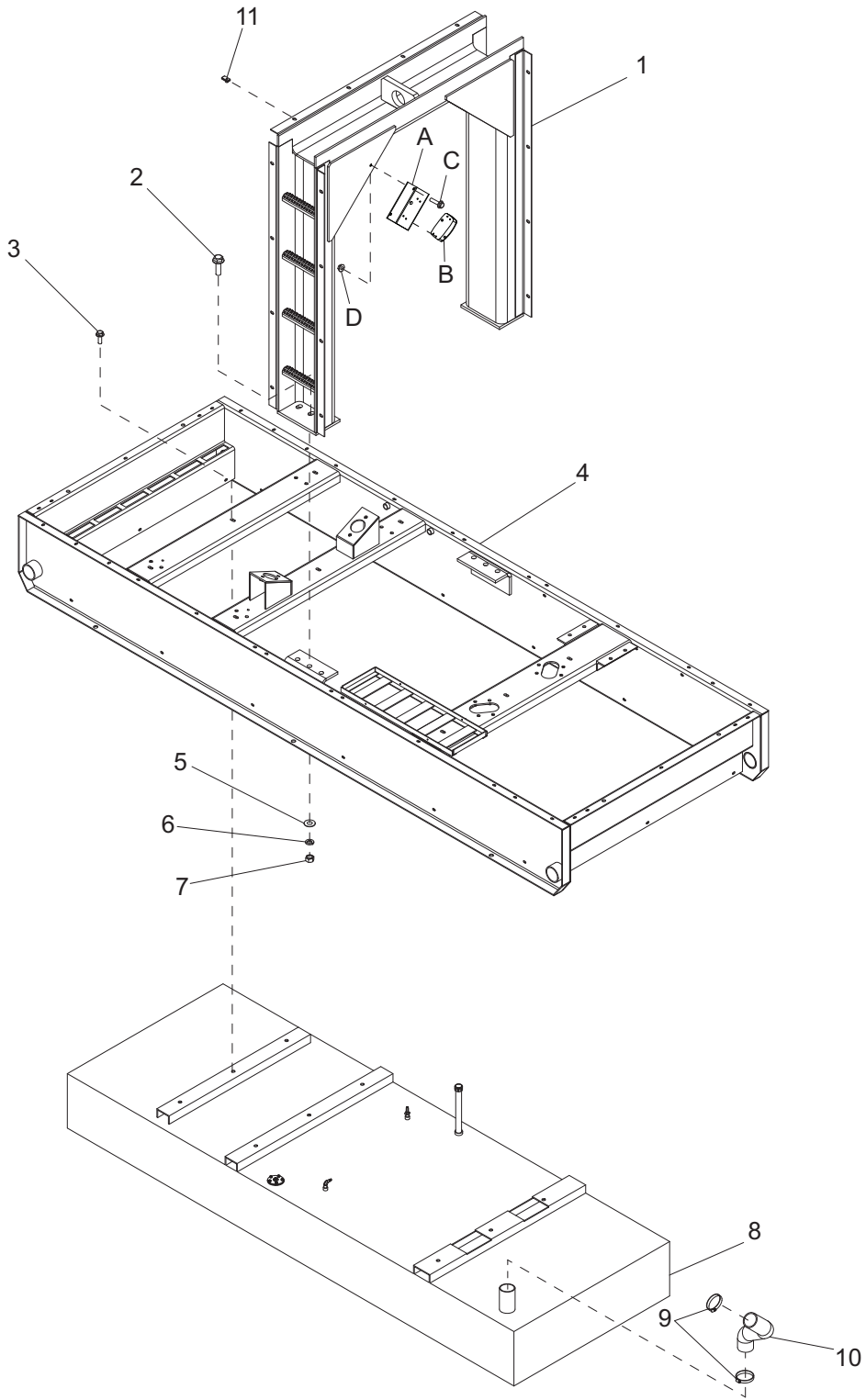


GENERATOR BOX ASSEMBLY - 4 POSITION - MMG235 & MMG235CAN

ITEM	PART NO.	QTY	DESCRIPTION	NOTES
1	60087	14	Screw, M6-1.00 x 16 sflg, G8.8	
2	34704B	1	Panel, gen box top	
3	60023	14	Insert, M6 threaded	
4	34701B	1	Panel, gen box right	
5	34700B	1	Panel, gen box rear	
6	19351	2.46 ft.	Seal, U-channel	
7	Page 84	1	Assembly, generator	
8	33287B	1	Bracket, phase switch	
9	60386	2	Washer, .375 flat	
10	60206	2	Washer, .375 split lock	
11	60690	2	Screw, .375-16 x 1.00 std hex, SS	
12	60062	4	Screw, 10-32 x .750 pan phil, G2	
13	60415	8	Nut, 10-32 nylock, SS	
14	65799	1	Switch, phase - 400A, 4 pos (Y,y,D,Z)	
15	15425	1	Nut, .312-18 cage	
16	34703B	1	Panel, gen box left	
17	60028	3	Screw, .312-18 x 1.0 in.std hex, G5	
18	60119	3	Washer, .312 flat	
19	60303	2	Nut, .312-18 nylock, grade 2	
20	60067	4	Washer, #10 flat, SS	
21	60459	4	Screw, 10-32 x 1.5 in. pan phil, G2	
22	19351	1.92 ft.	Seal, U-channel	
23	34702B	1	Panel, gen box front	

Note: Engine and generator parts used in all Generac Mobile Products equipment carry the Original Equipment Manufacturer (OEM) warranty unless otherwise stated. OEM warranty parts must be purchased through an OEM dealer. Please contact Generac Mobile Products with questions.

FUEL TANK AND SKID ASSEMBLY



01689

FUEL TANK AND SKID ASSEMBLY

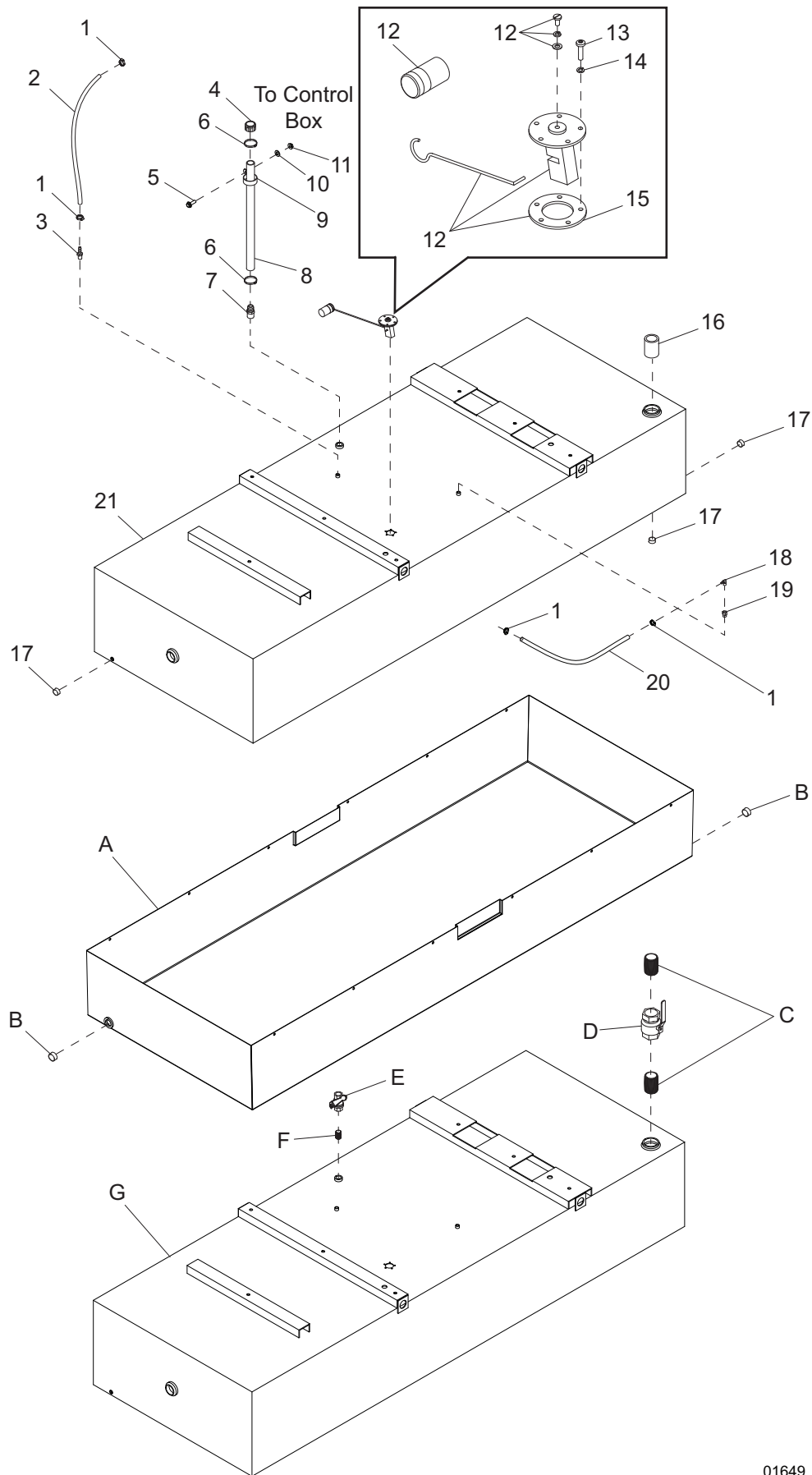
ITEM	PART NO.	QTY	DESCRIPTION	NOTES
1	22082B	1	Weldment, lift structure	
2	60508	6	Screw, .750-10 x 2.0 flg hex, G8	
3	63111	6	Screw, .750-10 x 2.25 flg hex, G8	
4	22106B	1	Weldment, skid	
5	60081	6	Washer, M20 flat	
6	60248	6	Washer, .750 split lock	
7	60249	6	Nut, .750-10 hex, G8	
8	Page 94	1	Assembly, fuel tank	MMG235
	Page 96	1	Assembly, fuel tank	MMG235CAN, MMG235CAN6
9	19336	2	Clamp, hose - SAE 044 (2.31-3.25)	
10	18301	1	Hose, fuel fill	
11	60505	24	Nut, .312-18 U-clip - long type	

OPTIONAL FEATURES

Interior Lights:

A	23528B	1	Bracket, interior light
B	11947	1	Light, interior with switch
C	61091	1	Screw, .312-18 x 1.0 sflg hex, G5
D	60095	1	Nut, .312-18 sflg
--	60445	4	Screw, M5-0.80 x 16 pan phil, SS
--	60447	4	Nut, M5-0.80 nylock, SS
--	65932	1	Harness, light option

FUEL TANK ASSEMBLY - MMG235



01649

FUEL TANK ASSEMBLY - MMG235

ITEM	PART NO.	QTY	DESCRIPTION	NOTES
1	63250	4	Clamp, hose - size 16, spring type	
2	50018	2.33 ft	Hose, fuel - .312 ID, 50psi, SAE 30R7	
--	50023	6 ft	Loom, wire - .625	
3	19180	1	Fitting, strt - .375MNPT x .312 barb	
4	26379	1	Vent, plastic fuel - 1.0 in	
5	61091	1	Screw, .312-18 x 1.0 sflg hex, G5	
6	63254	2	Clamp, hose - size 35, spring type	
7	21451	1	Fitting, strt - 1.0MNPT x 1.0 barb	
8	50019	4.16 ft	Hose, fuel - 1.0 ID, SAE 20R3	
9	60716	1	Clamp, tubing - 1.50 lt duty	
10	60119	1	Washer, .312 flat .875/.070	
11	60095	1	Nut, .312-18 sflg	
12	20571	1	Sender, fuel - 10-15 in. tank	
13	60062	5	Screw, 10-32 x .750 pan phil, G2	
14	60252	5	Washer, #10 split lock	
15	22323	1	Gasket, fuel sending unit	
16	19778	1	Fitting, pipe nipple - 2.0NPT x 4.0	
17	18394	3	Fitting, plug - .500NPT x internal hex	
18	15693	1	Fitting, 90° - .250NPT x .312 barb, brs	
19	16270	1	Fitting, strt - .375MNPT x .250FNPT	
20	50018	3.58 ft	Hose, fuel - .312 ID, 50psi, SAE 30R7	
21	22104B	1	Tank, fuel - 350 gal	

OPTIONAL FEATURES

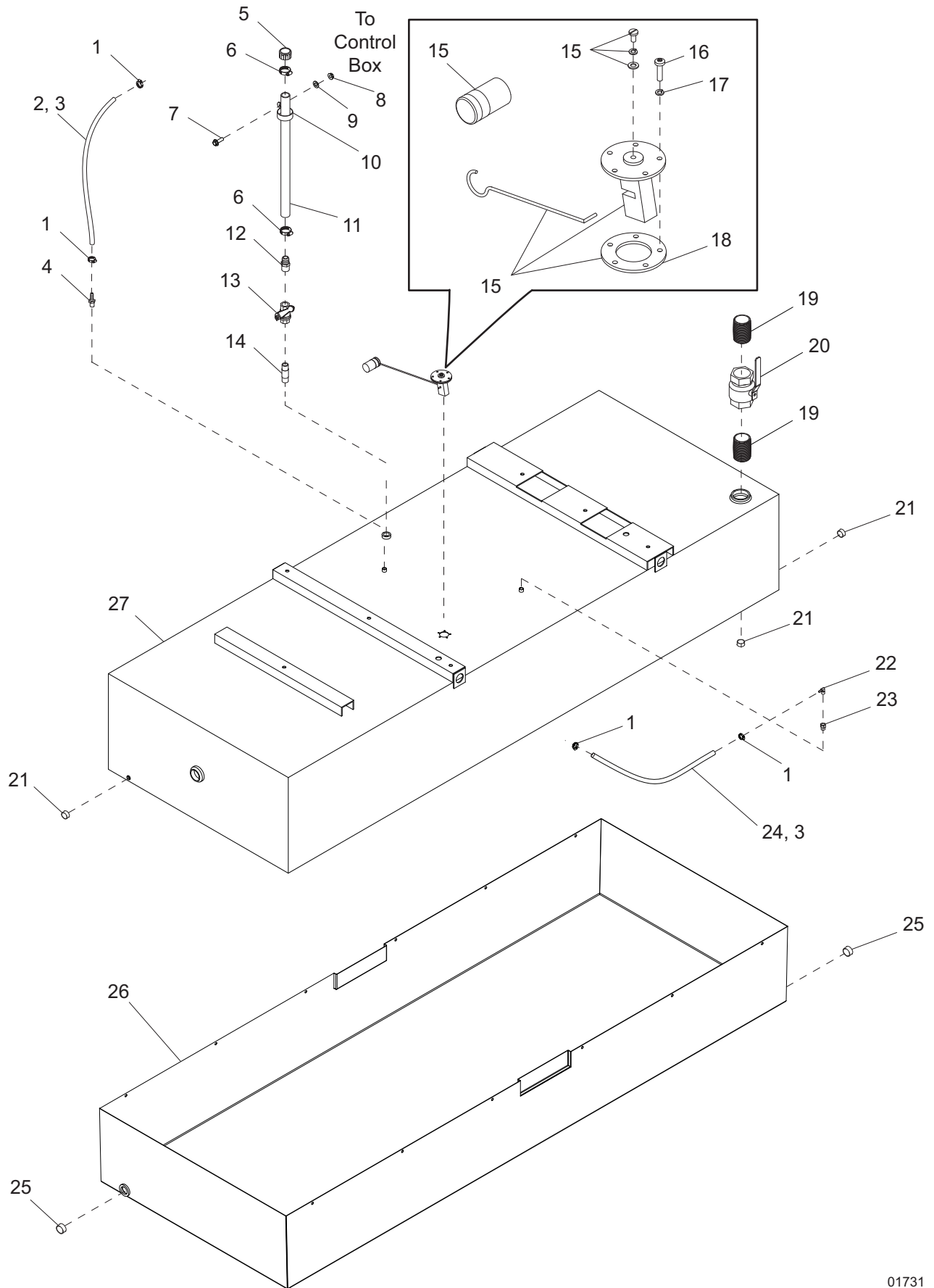
Containment:

A	23683B	1	Weldment, containment pan - 15.75 in
B	65636	2	Fitting, plug - 1.0NPT flsh mnt w/hex soc
--	60507	12	Screw, .312-18 x 1.0 in. std hex, SS
--	60452	12	Washer, .313 flat 1.125/1.0 bnd rbr, SS
--	60505	12	Nut, .312-18 U-clip - long type

TC Rated Tank:

C	21127	1	Fitting, pipe nipple - 2.0NPT x close
D	40229	1	Valve, ball - 2.0NPT, female
E	40230	1	Valve, ball - 1.0NPT, female
F	40276	1	Fitting, pipe nipple - 1.0NPT x close
G	30052B	1	Tank, fuel - 350 gal, UN31A rated
--	30175	1	Decal, UN31A tank caution

FUEL TANK ASSEMBLY - MMG235CAN, MMG235CAN6

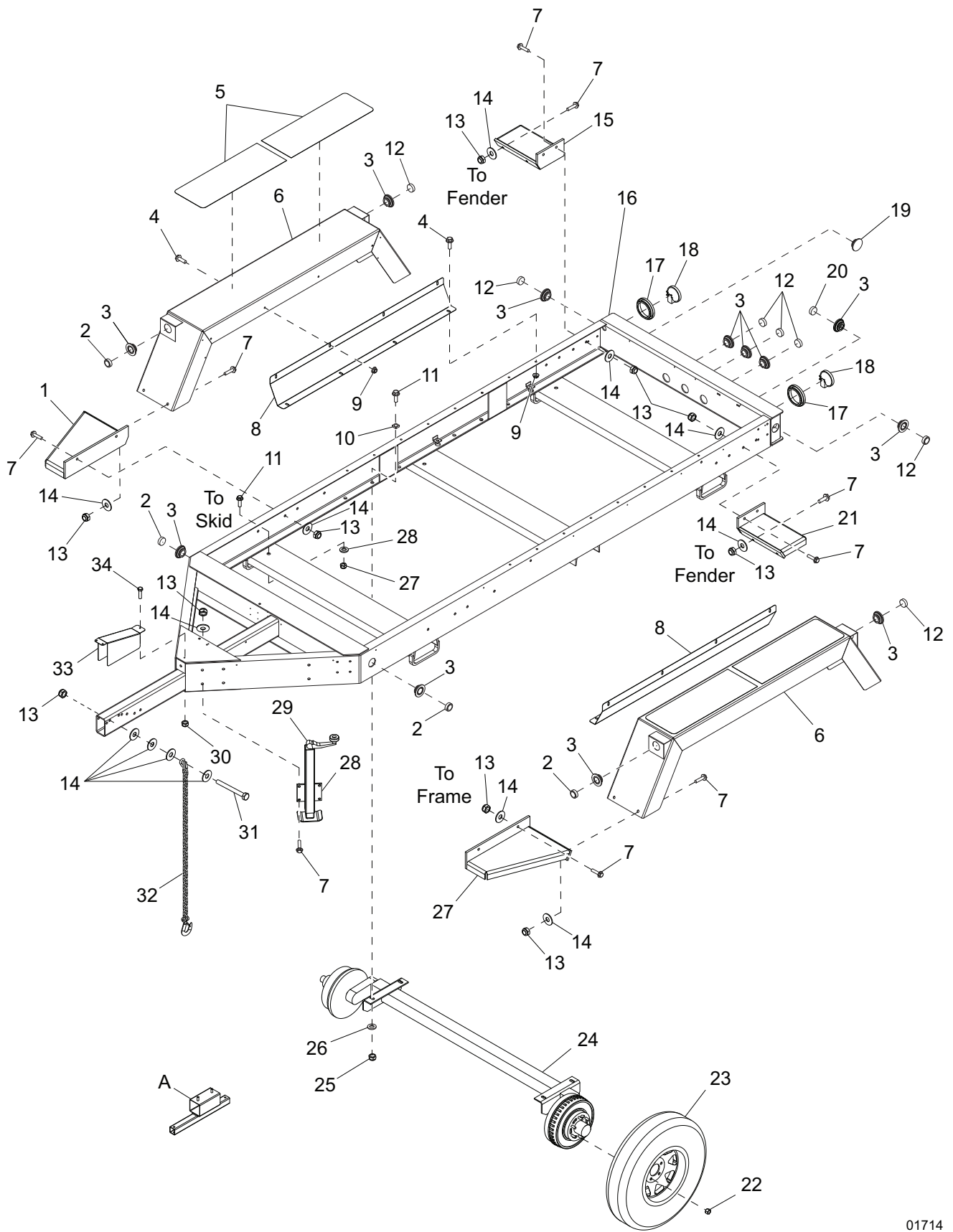


01731

FUEL TANK ASSEMBLY - MMG235CAN, MMG235CAN6

ITEM	PART NO.	QTY	DESCRIPTION	NOTES
1	63250	4	Clamp, hose - size 16, spring type	
2	50018	2.33 ft	Hose, fuel - .312 ID, 50psi, SAE 30R7	
3	50023	6 ft	Loom, wire - .625	
4	19180	1	Fitting, strt - .375MNPT x .312 barb	
5	26379	1	Vent, plastic fuel - 1.0 in	
6	63254	2	Clamp, hose - size 35, spring type	
7	61091	1	Screw, .312-18 x 1.0 sflg hex, G5	
8	60095	1	Nut, .312-18 sflg	
9	60119	1	Washer, .312 flat .875/.070	
10	60716	1	Clamp, tubing - 1.50 lt duty	
11	50019	4.16 ft	Hose, fuel - 1.0 ID, SAE 20R3	
12	21451	1	Fitting, strt - 1.0MNPT x 1.0 barb	
13	40230	1	Valve, ball - 1.0NPT, female	
14	40276	1	Fitting, pipe nipple - 1.0NPT x close	
15	20571	1	Sender, fuel - 10-15 in. tank	
16	60062	5	Screw, 10-32 x .750 pan phil, G2	
17	60252	5	Washer, #10 split lock	
18	22323	1	Gasket, fuel sending unit	
19	21127	1	Fitting, pipe nipple - 2.0NPT x close	
20	40229	1	Valve, ball - 2.0NPT, female	
21	18394	3	Fitting, plug - .500NPT x internal hex	
22	15693	1	Fitting, 90° - .250NPT x .312 barb, brass	
23	16270	1	Fitting, strt - .375MNPT x .250FNPT	
24	50018	3.58 ft	Hose, fuel - .312 ID, 50psi, SAE 30R7	
25	65636	2	Fitting, plug - 1.0NPT flush mount w/hex soc	
26	23683B	1	Weldment, containment pan - 15.75 in	
27	30052B	1	Tank, fuel - 350 gal, UN31A rated	
--	30175	1	Decal, UN31A tank caution	
--	60507	12	Screw, .312-18 x 1.0 in. std hex, SS	
--	60452	12	Washer, .313 flat 1.125/1.0 bnd rbr, SS	
--	60505	12	Nut, .312-18 U-clip - long type	

TRAILER ASSEMBLY

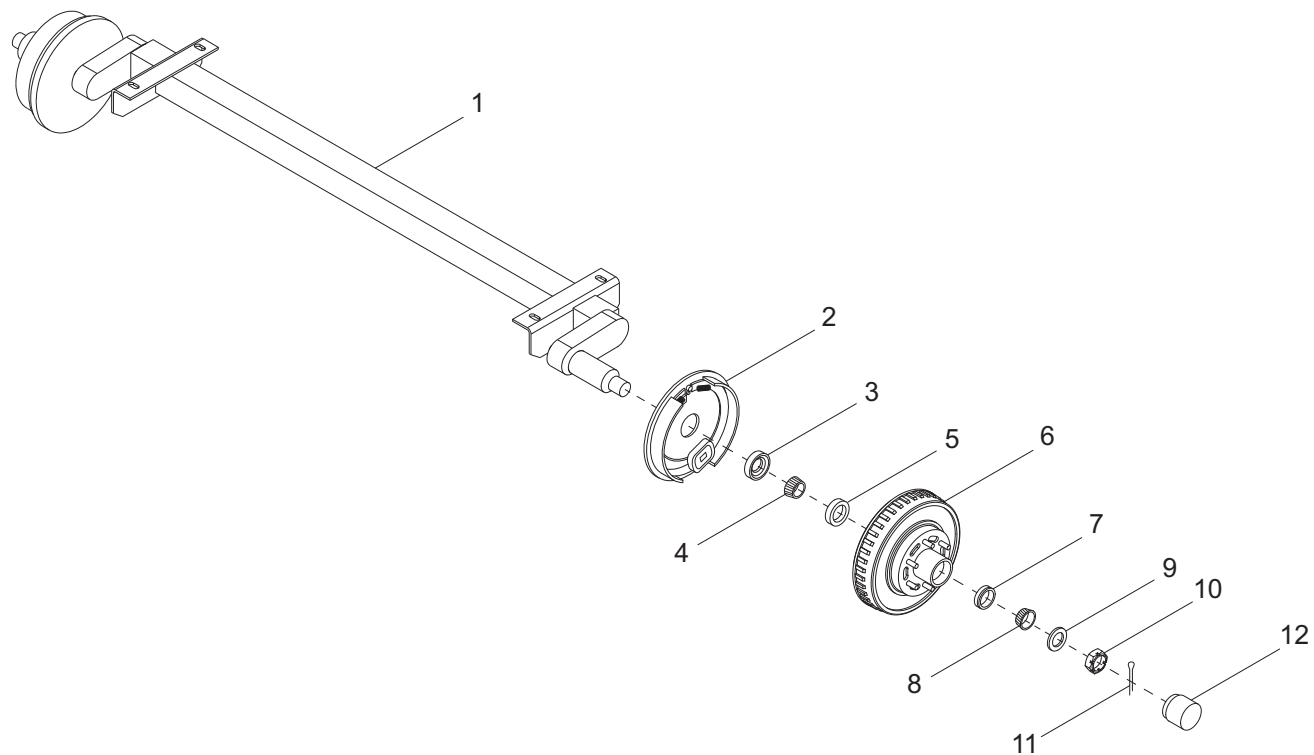


01714

TRAILER ASSEMBLY

ITEM	PART	QTY	DESCRIPTION	NOTES
1	22360B	1	Weldment, front step - right	
2	66702	4	Light, clearance, 2.0 in., amber LED	
3	66394	12	Grommet, rubber - 2.0	
4	61091	8	Screw, .312-18 x 1.0 sflg hex, G5	
5	22398	4	Pad, slip resistant - 10.0 x 28.0	
6	27657B	2	Weldment, fender	
7	61103	20	Screw, .500-13 x 1.75 sflg hex	
8	22351B	2	Shield, fender	
9	60095	16	Nut, .312-18 sflg	
10	60651	8	Washer, sqr. bevel structural - .625	
11	61078	14	Screw, .625-11 x 2.0 flg hex, G8	
12	66703	7	Light, clearance, 2.0 in., no grmt - red LED	
13	62221	22	Nut, .500-13 nylock, G5	
14	60416	28	Washer, .500 flat 1.375/.090	
15	22358B	1	Weldment, rear step - right	
16	27655B	1	Weldment, trailer frame	
17	10221	2	Grommet, rubber - 4.5	
18	66701	2	Light, rear tail/turn, rnd, no grmt - LED	
19	62161	1	Plug, hole - 2.25 dia	
20	66704	1	Light, utility, 2.0 in., no grmt - clear LED	
21	22357B	1	Weldment, rear step - left	
22	60096	24	Nut, .500-20 lug, G5	
23	22592	4	Wheel, ST235/80R16, 3500 lb	
24	<i>Page 100</i>	2	Assembly, axle	
25	60240	14	Nut, .625-11 nylock, G5	
26	60193	14	Washer, M16 flat	
27	22359B	1	Weldment, front step - left	
28	22317B	1	Weldment, jack	Includes item 31
29	22892	1	Jack, top wind - 5000 lb	
30	60144	1	Nut, .250-20 nylock, G5	
31	61099	2	Screw, .500-13 x 5.0 std hex, G8	
32	20159	2	Chain, trailer safety, hi test - .375 in	
33	22302B	1	Cover, brake guard	
34	60684	3	Screw, .250-20 x .875 std hex, SS	
--	60286	2	Washer, .250 split lock	
--	27451	1	Decal, reflective tape kit - white	
--	27452	27.7 ft	Tape, conspicuity - 2.0 in., red/white	
--	19163	4	Fitting, bushing - .500 OD x .375 ID	
--	22340	2	Fitting, bushing - 1.0 OD x .750 ID	
--	16143	--	Clamp, tubing - .500	For harnesses
--	60237	--	Washer, #10 flat	For harnesses
--	61155	--	Rivet, .188 dia. x .438 to .750 grip	For harnesses
--	27671	1	Harness, trailer	
OPTIONAL FEATURES				
A	24345B	1	Weldment, spare tire carrier	
--	65786	1	Harness, electric brake	
<i>Incandescent Light:</i>				
2	66396	4	Light, clearance, 2.0 in., no grmt - amber	
12	66397	7	Light, clearance, 2.0 in., no grmt - red	
18	10220	2	Light, rear tail/turn, round, no grmt	
22	66395	1	Light, utility, 2.0 in., no grmt - clear	

AXLE ASSEMBLY



01713

AXLE ASSEMBLY

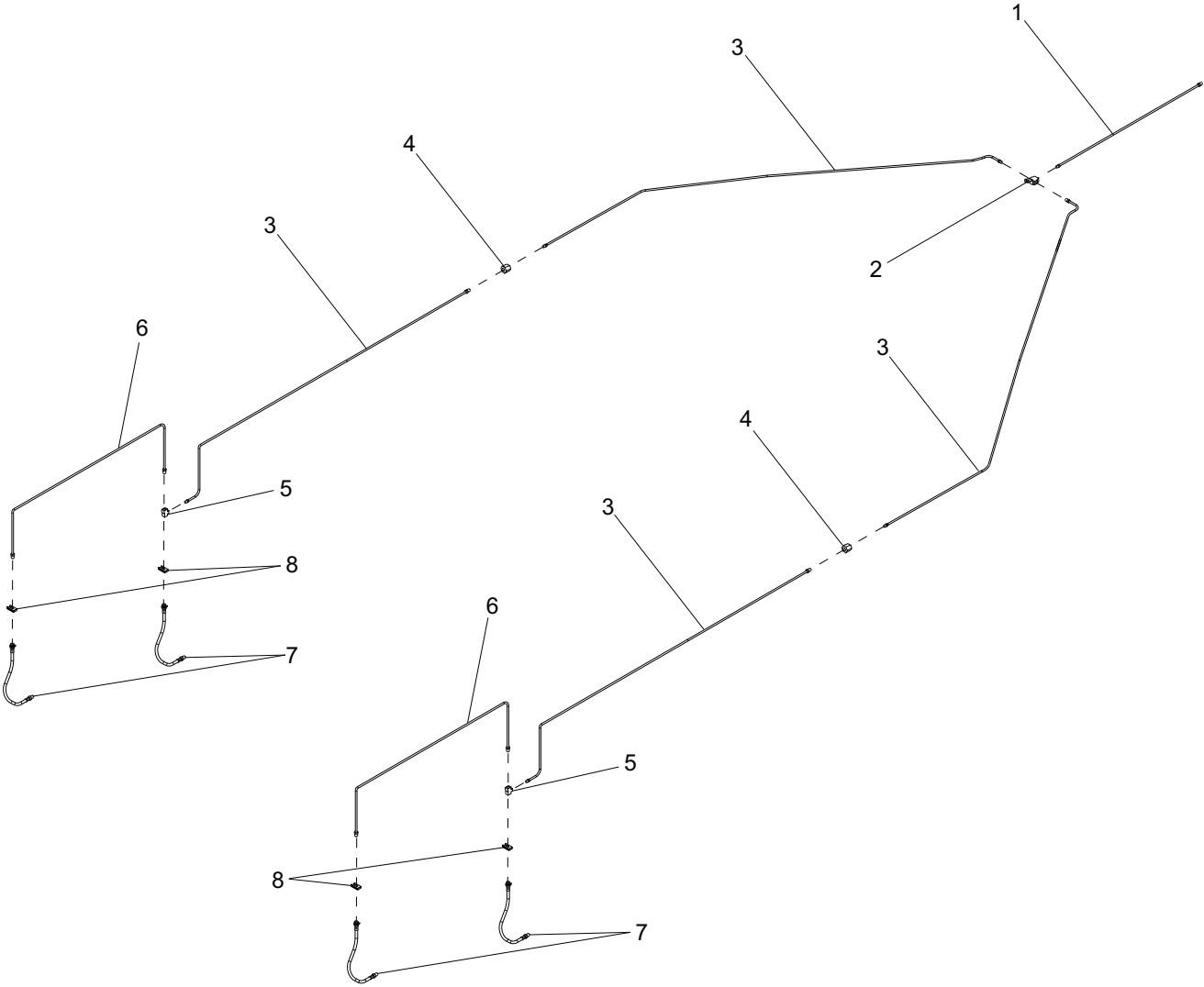
ITEM	PART NO.	QTY	DESCRIPTION	NOTES
1	22590	2	Axle 7000# - 57.0 in. frame	
2	26571	2	Assembly, surge free-backing brake - lt	
--	26572	2	Assembly, surge free-backing brake - rt	
3	26575	4	Inner grease seal 2.25in	
4	26576	4	Inner hub bearing	
5	26577	4	Inner bearing cup	
6	26578	4	Drum, brake - 12.0 in	
7	26579	4	Outer bearing cup	
8	26580	4	Outer hub bearing	
9	26581	4	Spindle washer	
10	12308	4	Spindle nut	
11	26583	4	Spindle nut - cotter pin	
12	26582	4	Dust cap	

OPTIONAL FEATURES

Electric Brake:

--	22591	2	Axle 7000# - 57.0 in. frame	
--	26573	2	Electric brake assembly - left	
--	26574	2	Electric brake assembly - right	

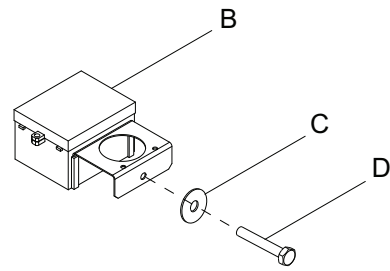
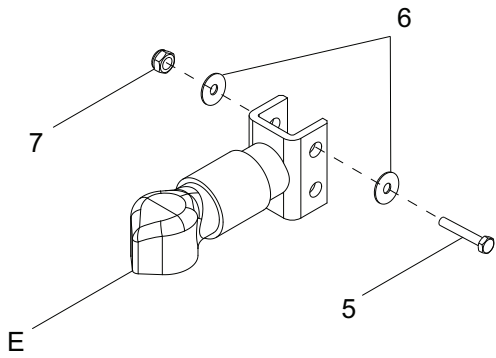
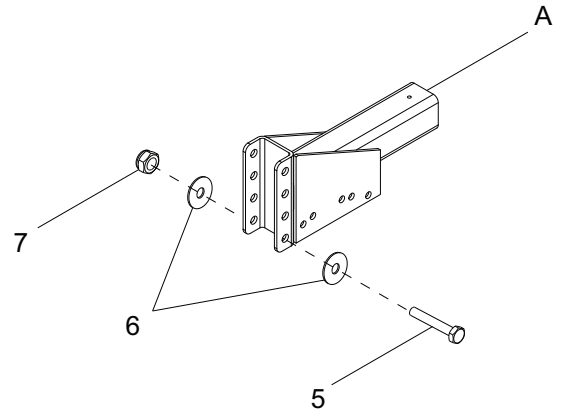
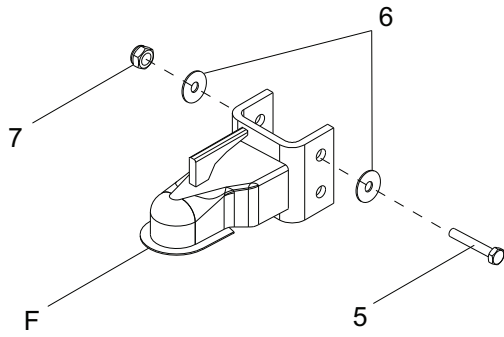
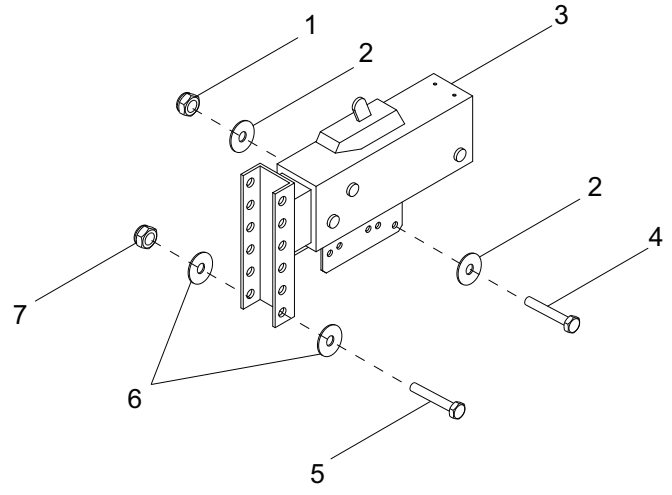
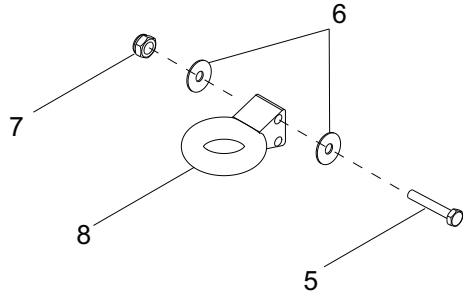
TRAILER BRAKE LINES



TRAILER BRAKE LINES

ITEM	PART NO.	QTY	DESCRIPTION	NOTES
1	40495	1	Brake line, 3/16 x 20.0 in	
2	19252	1	Fitting, T w/bracket	
3	22338	4	Brake line, 3/16 x 60.0 in	
4	22339	2	Connector, brake line	
5	40498	2	Fitting, T	
6	40493	2	Brake line, 3/16 x 40.0 in	
7	40497	4	Hose, brake	
8	40499	4	Clip, brake hose	

TRAILER HITCH OPTIONS



01656

TRAILER HITCH OPTIONS

ITEM	PART NO.	QTY	DESCRIPTION	NOTES
1	62221	4	Nut, .500-13 nylock, G5	
2	60309	10	Washer, .500 flat 1.060/.090	
3	18373	1	Actuator, trailer	
4	60376	2	Screw, .500-13 x 4.50 std hex, G5	
5	60239	2	Screw, .625-11 x 5.0 std hex, G5	
6	60193	4	Washer, M16 flat	
7	60240	2	Nut, .625-11 nylock, G5	
8	19335B	1	Coupler, lunette ring - 3.0 ID, adjustable	
--	22302B	1	Cover, brake guard	
--	60684	1	Screw, .250-20 x .875 std hex, SS	
--	60144	1	Nut, .250-20 nylock, G5	

OPTIONAL FEATURES

Electric Brake:

A	19763B	1	Weldment, hitch electric - 4 position, adj
B	19417	1	Breakaway kit
C	60193	1	Washer, M16 flat
D	60239	1	Screw, .625-11 x 5.0 std hex, G5
--	65593	1	Adapter, trailer - 4 pin & 2 pin to round 6 pin
--	65583	1	Adapter, trailer - round 6 pin to round 7 spade

Couplers/Adapters:

F	19519	1	Coupler, 2.31 in. ball
E	41795	1	Coupler, 2.31 in. ball - Bulldog 12500lb
--	65463	1	Adapter, trailer - flat 4 to round 6 pin
--	65464	1	Adapter, trailer - flat 4 to round 7 pin
--	10226	12	Plug, 2 wire
--	10222	2	Plug, 3 wire

RECOMMENDED SPARE PARTS LIST

ENGINE

Belt, fan	26596
Cap, engine oil fill (w/gasket).....	22375
Cap, radiator	19219
Dipstick	26600
Element, air filter.....	22328
Element, air filter - safety.....	27274
Fan, engine - MMG235.....	26836
Fan, engine - MMG235CAN, MMG235CAN6.....	30461
Filter, fuel - final	26236
Filter, fuel - primary.....	26597
Filter, oil	22378
Filter, oil recirculation.....	24552
Fuse, 15A	66211-15
Hose, radiator - lower	23507
Hose, radiator - upper.....	26449
Lug, terminals dual	65890
Overflow bottle.....	20212
Overflow bottle cap.....	19714
Sender, fuel	20571
Sensor, low coolant	65592
Starter.....	24282

ELECTRICAL

Alternator	27543
Breaker handle extension.....	22517
Breaker, 20A/240V, 1-pole.....	18091
Breaker, 50A/240V, 2-pole.....	18092
Breaker, 700A, 3-pole	65356
Controller, programmed - MMG235, MMG235CAN.....	66194
Controller, programmed - MMG235CAN6	67104
Potentiometer - 2.5K, 2W	26229
Receptacle, 120V/20A GFI.....	14130
Receptacle, 120/240 50A twist-lock	18089
Regulator, voltage - SE 350.....	18556
Relay, 12V/70A NC/80A NO w/diode.....	66455
Switch, E-stop assembly. - 2NO/1NC	22550
Switch, lock out.....	18111

TRAILER

Cap, dust	26582
Jack, top wind.....	22317B

SERVICE KITS

250 hr maintenance kit	SK125
2000 hr maintenance kit	SK064

REV: F
PART NO: 26462
06.15.15